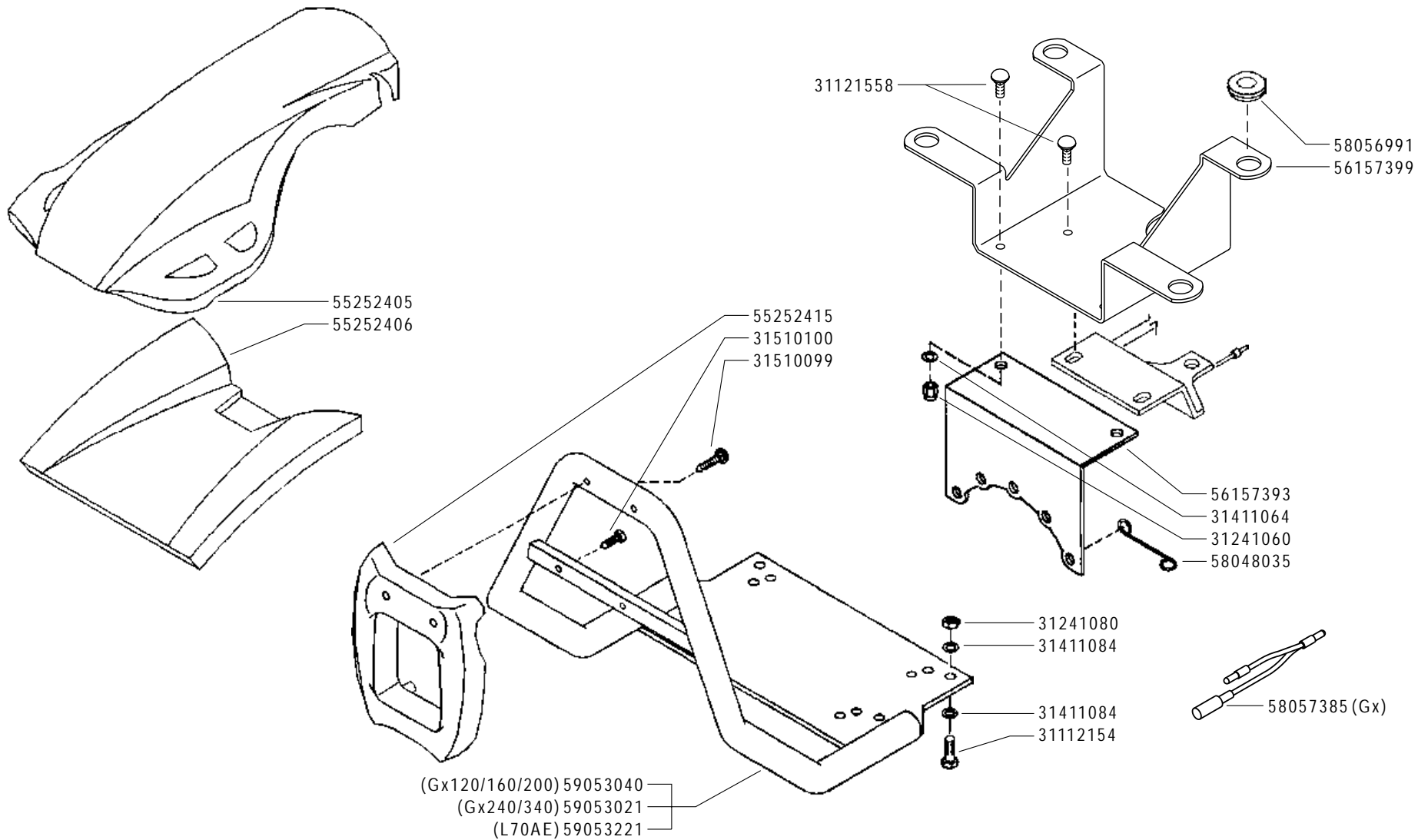


Code	Description	Notes
C01_0_27103	ENGINE PROTECTIONS	
C01_1_60543	ENGINE PROTECTIONS	
D01_0_27123	CLUTCH	
D01_1_33518	CLUTCH	
D01_2_60564	CLUTCH	
E01_0_27146	GEARBOX	
F02_0_27212	GEARS	
G02_0_27265	DIFFERENTIAL	
H02_0_27310	STEERING COLUMN	
H02_1_60701	STEERING COLUMN	
I02_0_27387	HANDLEBAR	
I02_1_45506	HANDLEBAR	
J02_0_27474	CONTROLS	
K01_0_27513	WHEELS	
K01_1_60913	WHEELS	
L01_0_27535	ELECTRIC STARTER	
L01_1_33613	ELECTRIC STARTER	
L01_2_60940	ELECTRIC STARTER	Version: 320 trendy, 330 trendy
M01_0_27555	STICKERS	
M01_1_60965	STICKERS	
M02_0_27566	STICKERS	
M02_1_60983	STICKERS	
F.02.02.A0027_01	F02_01 - INGRANAGGI CAMBIO (320-330)	



PROTEZIONI MOTORE

FERRARI

300 TRENDY

ENGINE PROTECTIONS
PROTECCIONES MOTOR

PROTECTIONS MOTEUR
MOTORSCHUTZ

DALLA MACCHINA
FROM THE MACHINE
DE LA MACHINE
DE LA MAQUINA
AB DER MASCHINE

N.

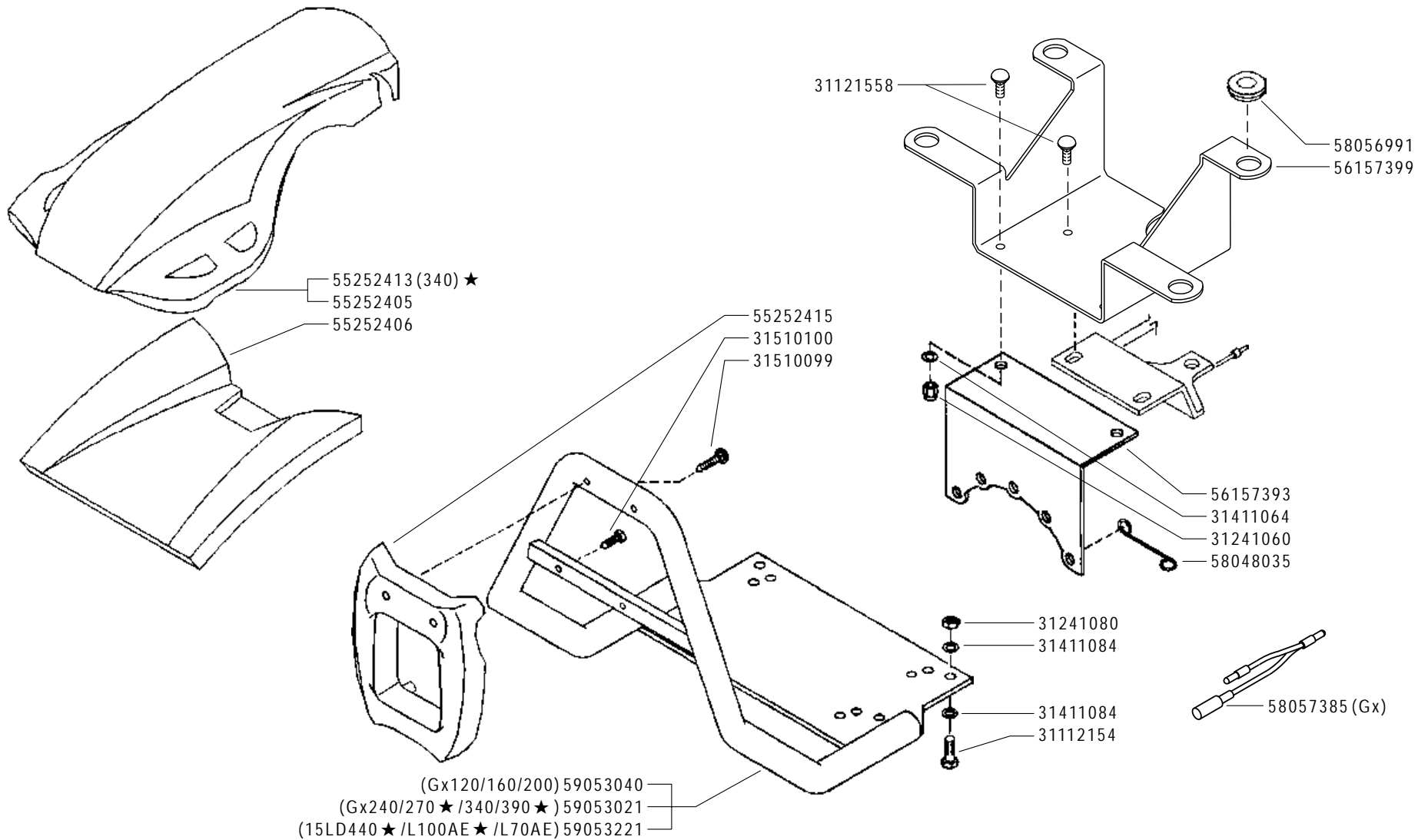
C01 0

11/2006

Rev.

ZENNE

Pos.	Code	Q.ty	Description	Notes
31112154	31112154	1	SCREW TE M8X40 UNI 5739 8G	
31121558	31121558	1	SCREW TTQ M6X16 UNI 5731	
31241060	31241060	1	SELFLOCK NUT M6	
31241080	31241080	1	SELFLOCK NUT M8	
31411064	31411064	1	WASHER 6,4x12,5	
31411084	31411084	1	WASHER 8,4x17	
31510099	31510099	1	RIBBED SCREW 6,3X38 UNI 6950	
31510100	31510100	1	RIBBED SCREW 6,3X19 UNI 6950	
55252405	55252405	1	GUARD	
55252406	55252406	1	GUARD	
55252415	55252415	1	GUARD	
56157393	56157393	1	HOLDER	
56157399	56157399	1	HOLDER	
58048035	58048035	1	HOLDER	
58056991	58056991	1	CABLE GLAND	
58057385	58057385	1	LINE	
59053021	59053021	1	COMPLETE BUMPERS	
59053040	59053040	1	COMPLETE BUMPERS	
59053221	59053221	1	COMPLETE BUMPERS	



PROTEZIONI MOTORE

ENGINE PROTECTIONS
PROTECCIONES MOTOR

PROTECTIONS MOTEUR
MOTORSCHUTZ

DALLA MACCHINA
FROM THE MACHINE
DE LA MACHINE
DE LA MAQUINA
AB DER MASCHINE

★ N.

AGGIORNAMENTO
REVISION
MISE A JOUR
APLAZAMIENTO
ANPASSUNG

C01 1

10/2008

Rev.

ZENNE

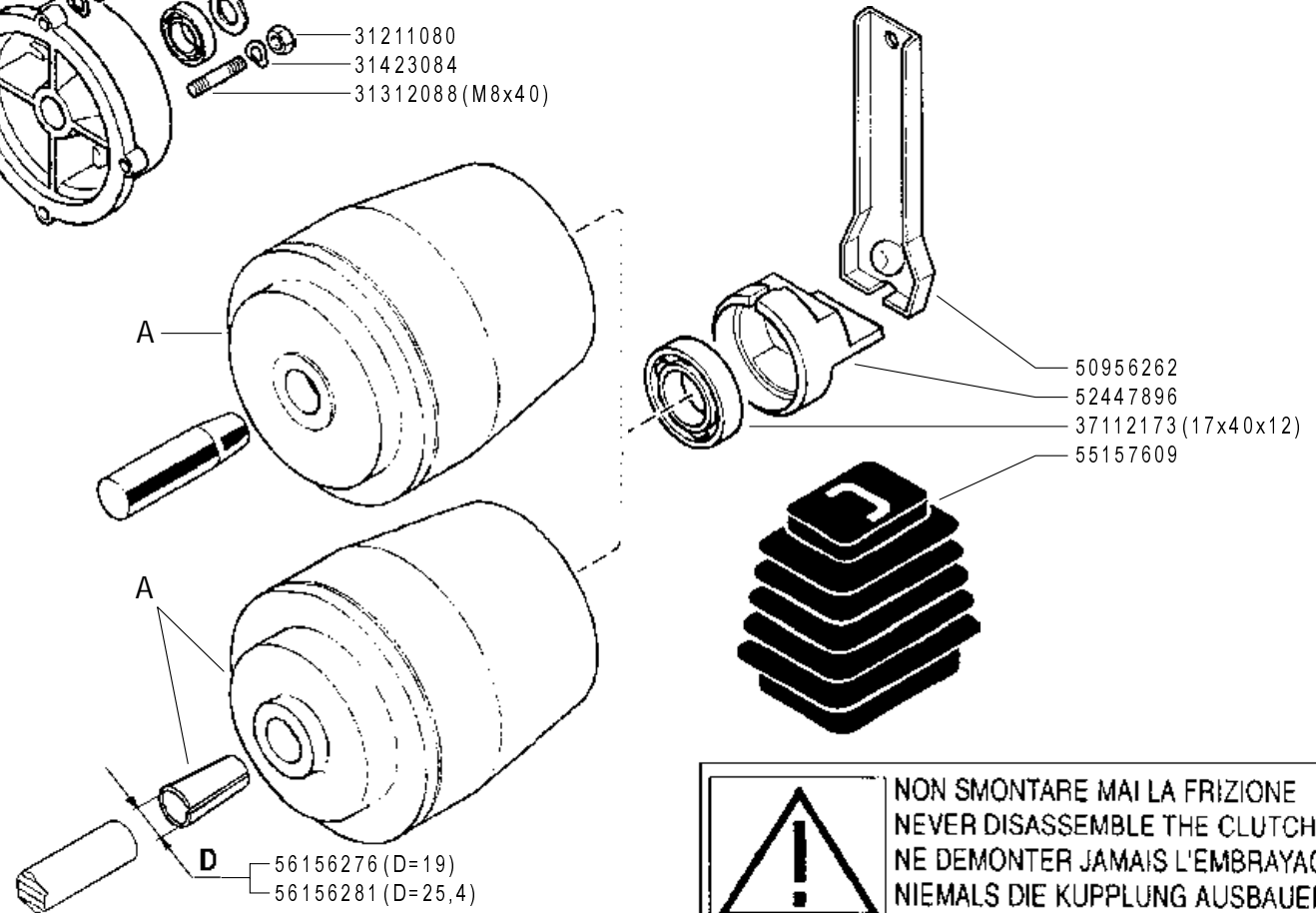
FERRARI

300 TRENDY

Pos.	Code	Q.ty	Description	Notes
31112154	31112154	1	SCREW TE M8X40 UNI 5739 8G	
31121558	31121558	1	SCREW TTQ M6X16 UNI 5731	
31241060	31241060	1	SELFLOCK NUT M6	
31241080	31241080	1	SELFLOCK NUT M8	
31411064	31411064	1	WASHER 6,4x12,5	
31411084	31411084	1	WASHER 8,4x17	
31510099	31510099	1	RIBBED SCREW 6,3X38 UNI 6950	
31510100	31510100	1	RIBBED SCREW 6,3X19 UNI 6950	
55252405	55252405	1	GUARD	
55252406	55252406	1	GUARD	
55252413	55252413	1	GUARD	
55252415	55252415	1	GUARD	
56157393	56157393	1	HOLDER	
56157399	56157399	1	HOLDER	
58048035	58048035	1	HOLDER	
58056991	58056991	1	CABLE GLAND	
58057385	58057385	1	LINE	
59053021	59053021	1	COMPLETE BUMPERS	
59053040	59053040	1	COMPLETE BUMPERS	
59053221	59053221	1	COMPLETE BUMPERS	

- (HONDA Gx120/160/200) (5/16x7/8) 31100003
- (HONDA Gx240/340) (3/8x1") 31100015
- HONDA Gx120/160/200 31423084
- 31423105
- (HONDA Gx120/160/200) 53247488
- (HONDA Gx240/340) 53156150
- 37112231 (20x47x14) (HONDA Gx120/160/200)
- 37112233 (30x55x13) (HONDA Gx240/340)
- 56347484 (HONDA Gx240/340)
- 56356251 (HONDA Gx120/160/200)
- 31211080
- 31423084
- 31312088 (M8x40)

MOTORE ENGINE MOTEUR MOTOR	FRIZIONE EMBRAGUE EMBRAYAGE KUPPLUNG CLUTCH
Honda Gx120/160/200 (D=19)	59256275
Honda Gx240 (D=25,4)	59256279
Honda Gx340 (D=25,4)	59256280
Yanmar L70AE	59247884



**! NON SMONTARE MAI LA FRIZIONE
NEVER DISASSEMBLE THE CLUTCH
NE DEMONTER JAMAIS L'EMBRAYAGE
NIEMALS DIE KUPPLUNG AUSBAUEN
NO DESMONTAR JAMAS EL EMBRAGUE**

FERRARI

300 TRENDY

FRIZIONE A CONO AUTOVENTILANTE

CLUTCH
EMBRAGUE

EMBRAYAGE
KUPPLUNG

DALLA MACCHINA
FROM THE MACHINE
DE LA MACHINE
DE LA MAQUINA
AB DER MASCHINE

N.

D01 0

11/2006

Rev.

ZENNE

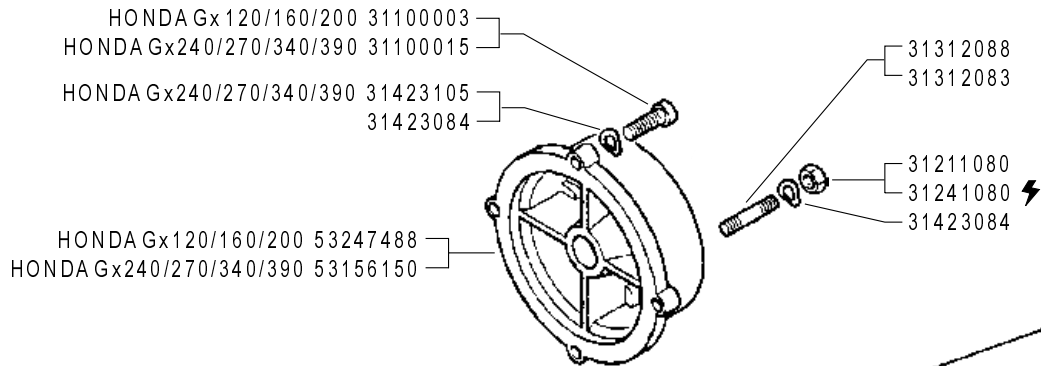
Pos.	Code	Q.ty	Description	Notes
31100003	31100003	1	SCREW TE 5/16X7/8	
31100015	31100015	1	SCREW TE 3/8X1	
31211080	31211080	1	NUT M8	
31312088	31312088	1	STUD BOLT M8X40X14X14	
31423084	31423084	1	SPRING WASHER 8,4	
31423105	31423105	1	SPRING WASHER 10,5	
37112173	37112173	1	BEARING	
37112231	37112231	1	BEARING	
37112233	37112233	1	BEARING	
50956262	50956262	1	CLUTCH LEVER	
52447896	52447896	1	PRESSURE PLATE	
53156150	53156150	1	ENGINE FLANGE	
53247488	53247488	1	ENGINE FLANGE	
55157609	55157609	1	BELLOWS	
56156276	56156276	1	SLEEVE	
56156281	56156281	1	CENTRING BUSH	
56347484	56347484	1	SHIM	
56356251	56356251	1	SHIM D=19,6	
59247884	59247884	1	CLUTCH ASSY	
59256275	59256275	1	CLUTCH ASSY	
59256279	59256279	1	CLUTCH ASSY	
59256280	59256280	1	CLUTCH ASSY	

SERIAL

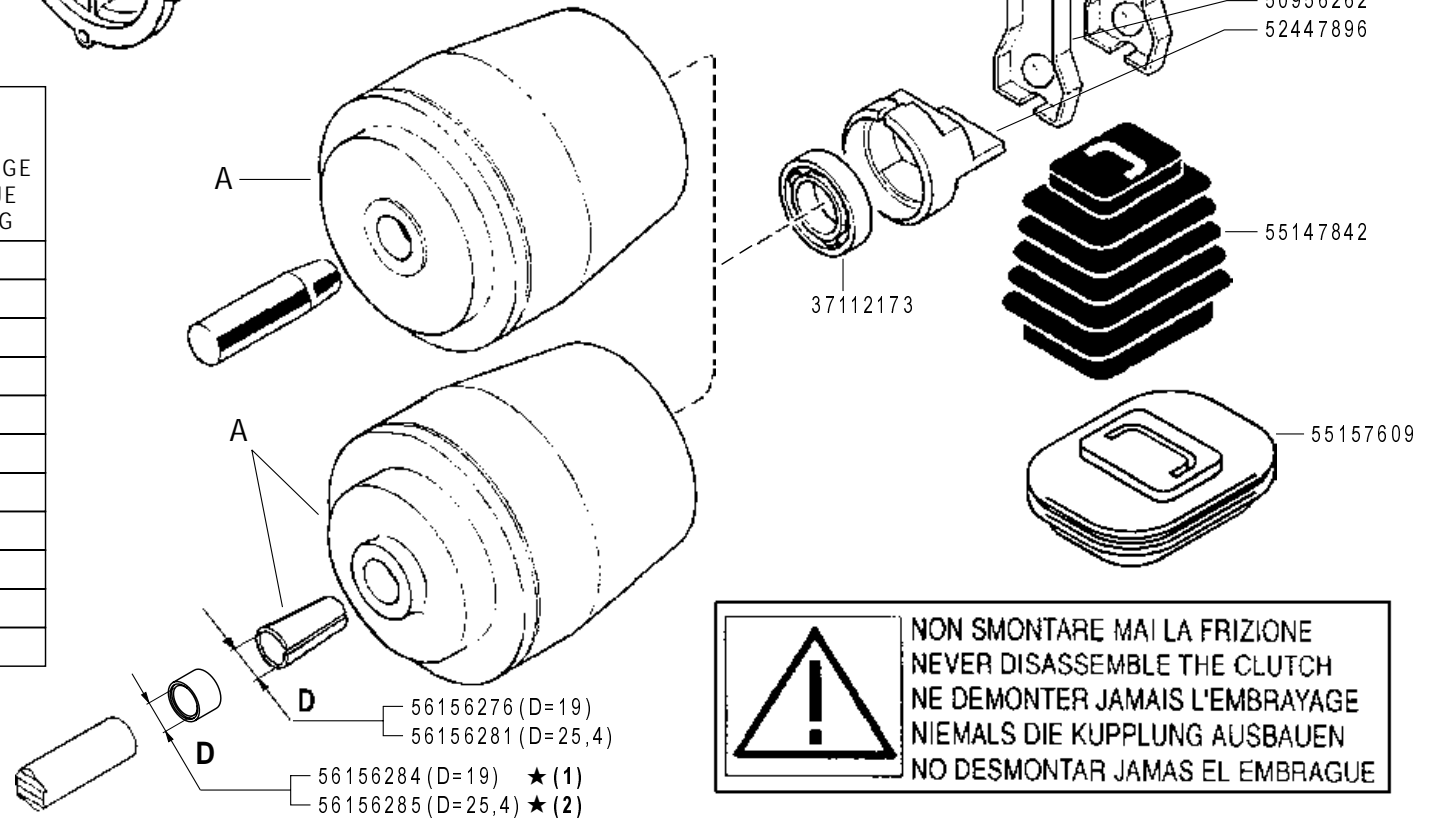
CLUTCH

CODE REV

D01_0_27123



MOTORE ENGINE MOTEUR MOTOR	FRIZIONE CLUTCH A EMBRAYAGE EMBRAGUE KUPPLUNG
Acme A220	59247884
Acme A220 (REF.)	59256255
Acme ACT280 - A349 - A360	59247884
Acme ACT340	59247971
Honda Gx390 - Gx340 D=25,4	59256280
Honda Gx240/270 D=25,4	59256279
Honda Gx120/160/200 D=19	59256275
Lombardini 15LD315/350	59247884
Lombardini 15LD500	59247924
Yanmar L100AE	59247971
Yanmar L70AE	59247884



**! NON SMONTARE MAI LA FRIZIONE
NEVER DISASSEMBLE THE CLUTCH
NE DEMONTER JAMAIS L'EMBRAYAGE
NIEMALS DIE KUPPLUNG AUSBAUEN
NO DESMONTAR JAMAS EL EMBRAGUE**

FERRARI

300 TRENDY

FRIZIONE A CONO AUTOVENTILANTE

CLUTCH
EMBRAGUE

EMBAYAGE
KUPPLUNG

DALLA MACCHINA
FROM THE MACHINE
DE LA MACHINE
DE LA MAQUINA
AB DER MASCHINE

★ N.

(2) 779519

(1) 779324

D01 1

11/2006

Rev.

ZENNE

Pos.	Code	Q.ty	Description	Notes
31100003	31100003	1	SCREW TE 5/16X7/8	
31100015	31100015	1	SCREW TE 3/8X1	
31211080	31211080	1	NUT M8	
31241080	31241080	1	SELFLOCK NUT M8	
31312083	31312083	1	STUD BOLT M8X46X16X16	
31312088	31312088	1	STUD BOLT M8X40X14X14	
31423084	31423084	1	SPRING WASHER 8,4	
31423105	31423105	1	SPRING WASHER 10,5	
37112173	37112173	1	BEARING	
50956262	50956262	1	CLUTCH LEVER	
52447896	52447896	1	PRESSURE PLATE	
53156150	53156150	1	ENGINE FLANGE	
53247488	53247488	1	ENGINE FLANGE	
55147842	55147842	1	BELLOWS	
55157609	55157609	1	BELLOWS	
56147845	56147845	1	CLUTCH LEVER	
56156276	56156276	1	SLEEVE	
56156281	56156281	1	CENTRING BUSH	
56156284	56156284	1	SPACER	
56156285	56156285	1	SPACER	
59247884	59247884	1	CLUTCH ASSY	
59247924	59247924	1	CLUTCH	
59247971	59247971	1	CLUTCH	
59256255	59256255	1	CLUTCH ASSY	
59256275	59256275	1	CLUTCH ASSY	
59256279	59256279	1	CLUTCH ASSY	
59256280	59256280	1	CLUTCH ASSY	

SERIAL

CLUTCH

CODE REV

D01_1_33518

ROBIN EX 17 - HONDA Gx 120/160/200 31100003
 HONDA Gx 240/270/340/390 31100015

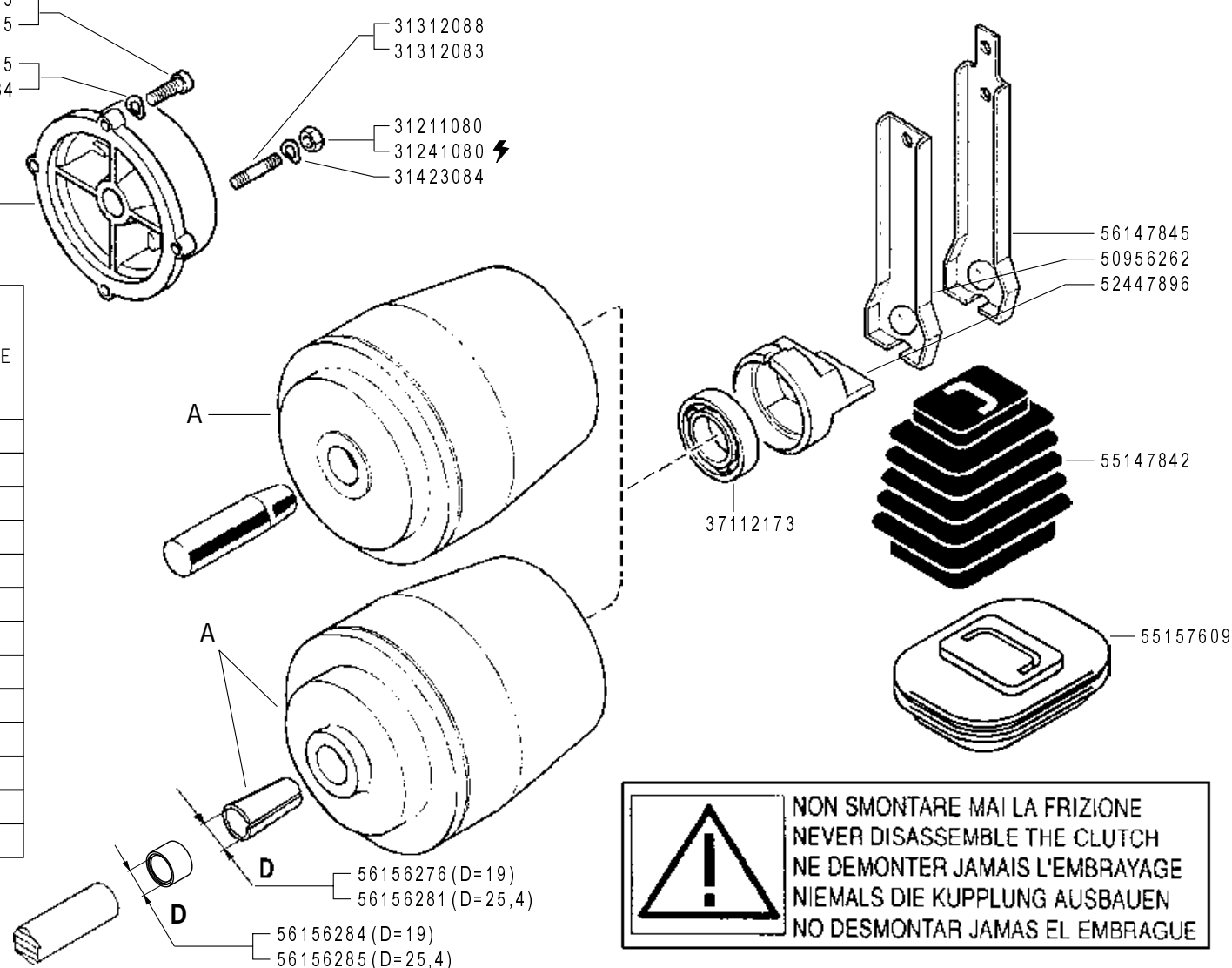
HONDA Gx 240/270/340/390 31423105
 31423084

31312088
 31312083

31211080
 31241080 ⚡
 31423084

ROBIN EX 17 - HONDA Gx 120/160/200 53247488
 HONDA Gx 240/270/340/390 53156150

MOTORE ENGINE MOTEUR MOTOR MOTOR	FRIZIONE CLUTCH A EMBRAYAGE EMBRAGUE KUPPLUNG
Acme A220	59247884
Acme A220 (REF.)	59256255
Acme ACT 280 - A349 - A360	59247884
Acme ACT 340	59247971
Honda Gx 390 - Gx 340 D=25,4	59256280
Honda Gx 240/270 D=25,4	59256279
Honda Gx 120/160/200 D=19	59256275
Lombardini 15LD315/350	59247884
Lombardini 15LD440 ★	59247971
Lombardini 15LD500	59247924
ROBIN EX 17 ★	59256275
Yanmar L100AE	59247971
Yanmar L70AE	59247884



⚠ NON SMONTARE MAI LA FRIZIONE
 NEVER DISASSEMBLE THE CLUTCH
 NE DEMONTER JAMAIS L'EMBRAYAGE
 NIEMALS DIE KUPPLUNG AUSBAUEN
 NO DESMONTAR JAMAS EL EMBRAGUE

FERRARI

300 TRENDY

FRIZIONE A CONO AUTOVENTILANTE

CLUTCH
 EMBRAGUE

EMBRAYAGE
 KUPPLUNG

DALLA MACCHINA
 FROM THE MACHINE
 DE LA MACHINE
 DE LA MAQUINA
 AB DER MASCHINE

★ N.

AGGIORNAMENTO
REVISION
MISE A JOUR
APLAZAMIENTO
ANPASSUNG

D01 2

10/2008

Rev.

ZENNE

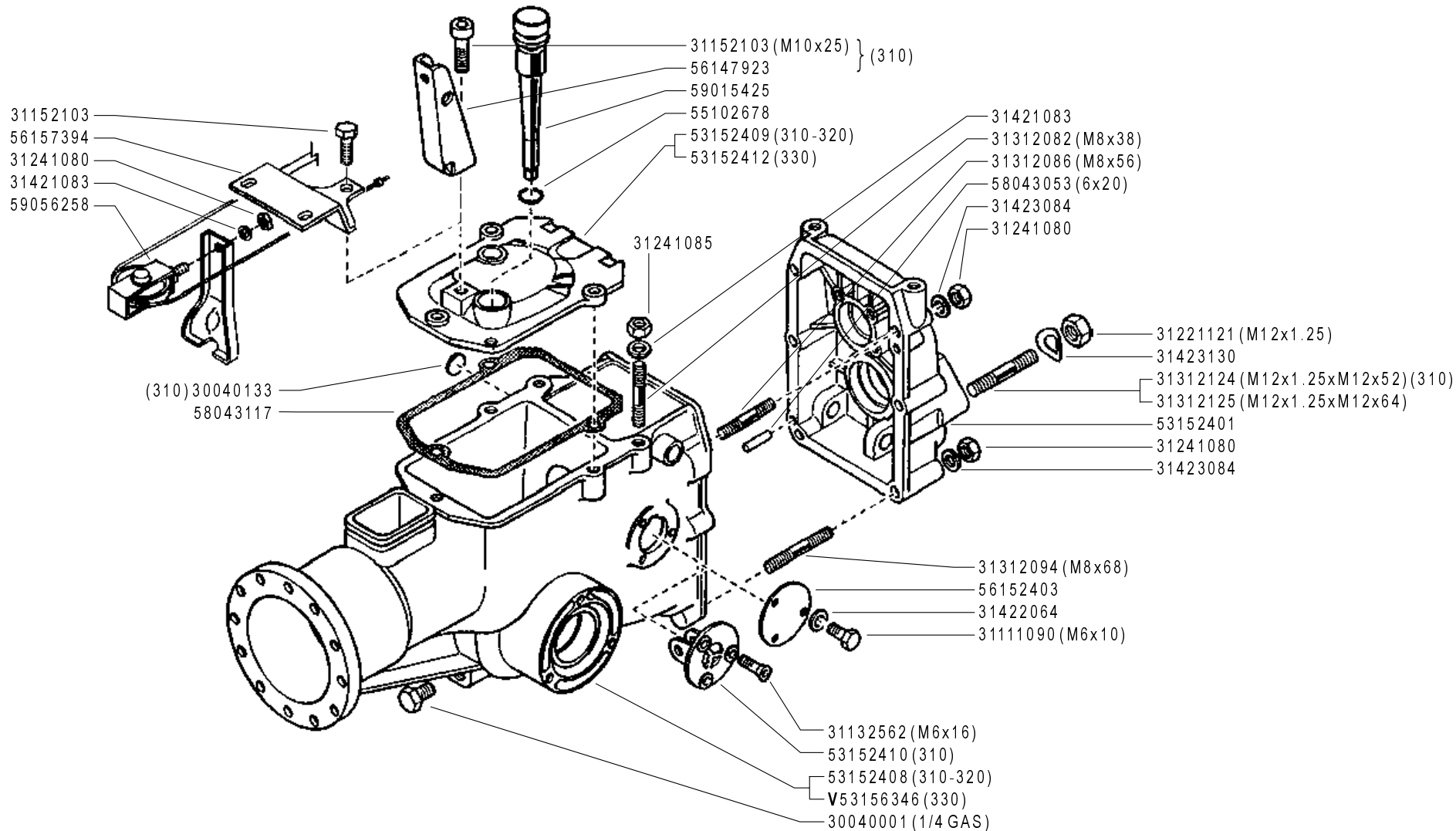
Pos.	Code	Q.ty	Description	Notes
31100003	31100003	1	SCREW TE 5/16X7/8	
31100015	31100015	1	SCREW TE 3/8X1	
31211080	31211080	1	NUT M8	
31241080	31241080	1	SELFLOCK NUT M8	
31312083	31312083	1	STUD BOLT M8X46X16X16	
31312088	31312088	1	STUD BOLT M8X40X14X14	
31423084	31423084	1	SPRING WASHER 8,4	
31423105	31423105	1	SPRING WASHER 10,5	
37112173	37112173	1	BEARING	
50956262	50956262	1	CLUTCH LEVER	
52447896	52447896	1	PRESSURE PLATE	
53156150	53156150	1	ENGINE FLANGE	
53247488	53247488	1	ENGINE FLANGE	
55147842	55147842	1	BELLOWS	
55157609	55157609	1	BELLOWS	
56147845	56147845	1	CLUTCH LEVER	
56156276	56156276	1	SLEEVE	
56156281	56156281	1	CENTRING BUSH	
56156284	56156284	1	SPACER	
56156285	56156285	1	SPACER	
59247884	59247884	1	CLUTCH ASSY	
59247924	59247924	1	CLUTCH	
59247971	59247971	1	CLUTCH	
59256255	59256255	1	CLUTCH ASSY	
59256275	59256275	1	CLUTCH ASSY	
59256279	59256279	1	CLUTCH ASSY	
59256280	59256280	1	CLUTCH ASSY	

SERIAL

CLUTCH

CODE REV

D01_2_60564



V = verde - green - vert - grün

FERRARI

300 TRENDY

SCATOLA CAMBIO

GEARBOX
CAJA DE CAMBIO

BOITE DE VITESSES
WECHSELGETRIEBE

DALLA MACCHINA
FROM THE MACHINE
DE LA MACHINE
DE LA MAQUINA
AB DER MASCHINE

N.

E01 0

11/2006

Rev.

ZENNE

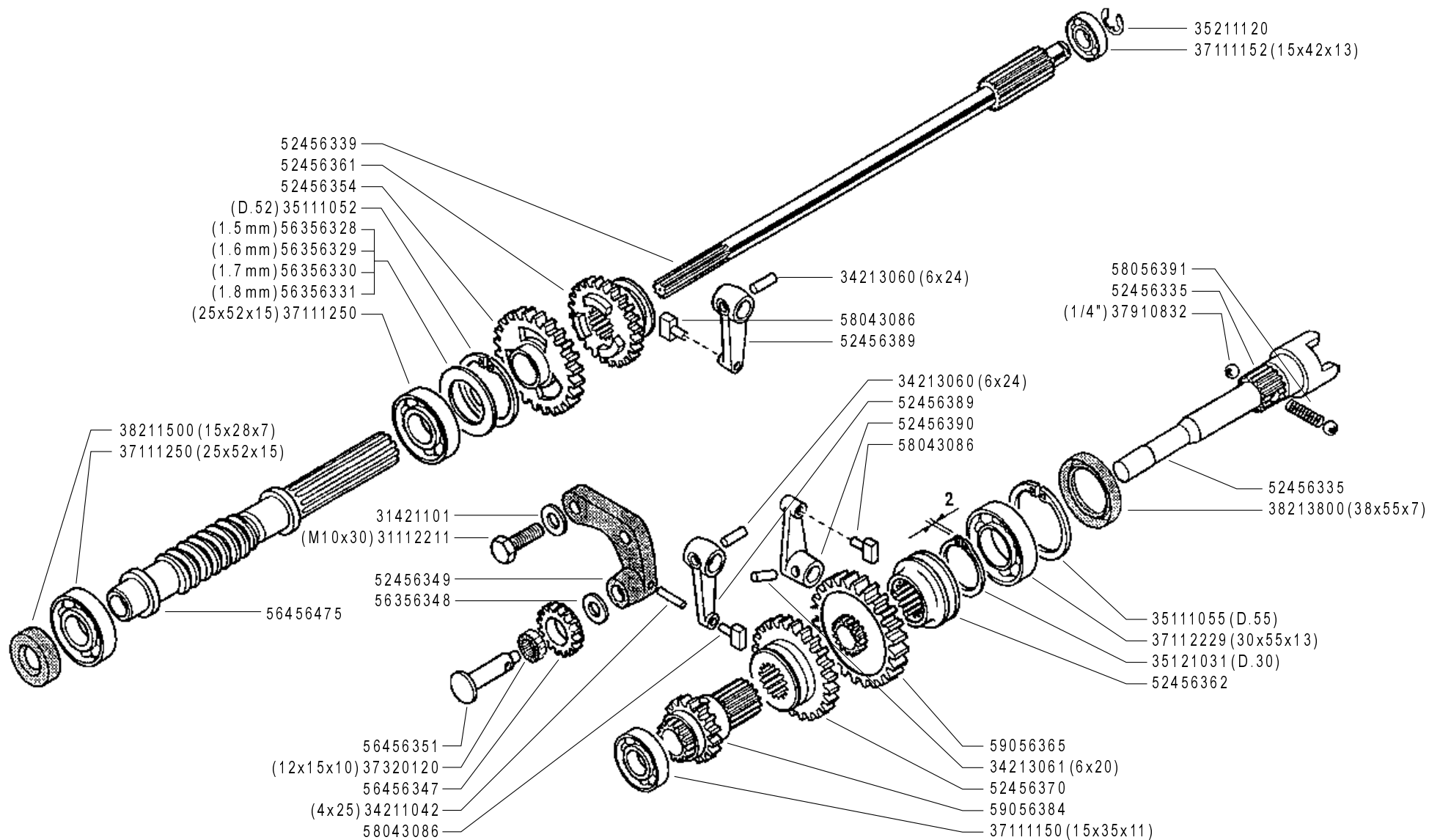
Pos.	Code	Q.ty	Description	Notes
30040001	30040001	1	PLUG	
30040133	30040133	1	PLUG 22 DIN 470	
31111090	31111090	1	SCREW TE M5X10 UNI 5739 8G	
31132562	31132562	1	SCREW TSVEI M6X16 UNI 5933	
31152103	31152103	1	SCREW TCEI M10X25 UNI 5931	
31221121	31221121	1	NUT M12X1,25	
31241080	31241080	1	SELFLOCK NUT M8	
31241085	31241085	1	SELFLOCK NUT M8 6S	
31312082	31312082	1	STUD BOLT M8X38X14X20	
31312086	31312086	1	STUD BOLT M8X56X20X14	
31312094	31312094	1	STUD BOLT M8X68X14X36	
31312124	31312124	1	STUD BOLT	
31312125	31312125	1	STUD BOLT	
31421083	31421083	1	WASHER	
31422064	31422064	1	SPRING WASHER 6,4	
31423084	31423084	1	SPRING WASHER 8,4	
31423130	31423130	1	SPRING WASHER 13	
53152401	53152401	1	REAR COVER	
53152408	53152408	1	BODY	
53152409	53152409	1	COVER	
53152410	53152410	1	GEAR SUPPORT	
53152412	53152412	1	COPERCHIO SCAT.CAMBIO DIFF.*V*	
53156346	53156346	1	BODY	
55102678	55102678	1	RUBBER RING	
56147923	56147923	1	BRACKET	
56152403	56152403	1	COVER	
56157394	56157394	1	STOP	
58043053	58043053	1	CYLINDRICAL PLUG	
58043117	58043117	1	COVER GASKET	
59015425	59015425	1	PLUG	
59056258	59056258	1	CLUTCH FORK	

SERIAL

GEARBOX

CODE REV

E01_0_27146



FERRARI

300 TRENDY

INGRANAGGI CAMBIO (320-330)

GEARS

ENGRANAJES

ENGRANAGES

ZÄHNRÄDER

DALLA MACCHINA
 FROM THE MACHINE
 DE LA MACHINE
 DE LA MAQUINA
 AB DER MASCHINE

N.

Rev.

F02 0

11/2006

ZENNE

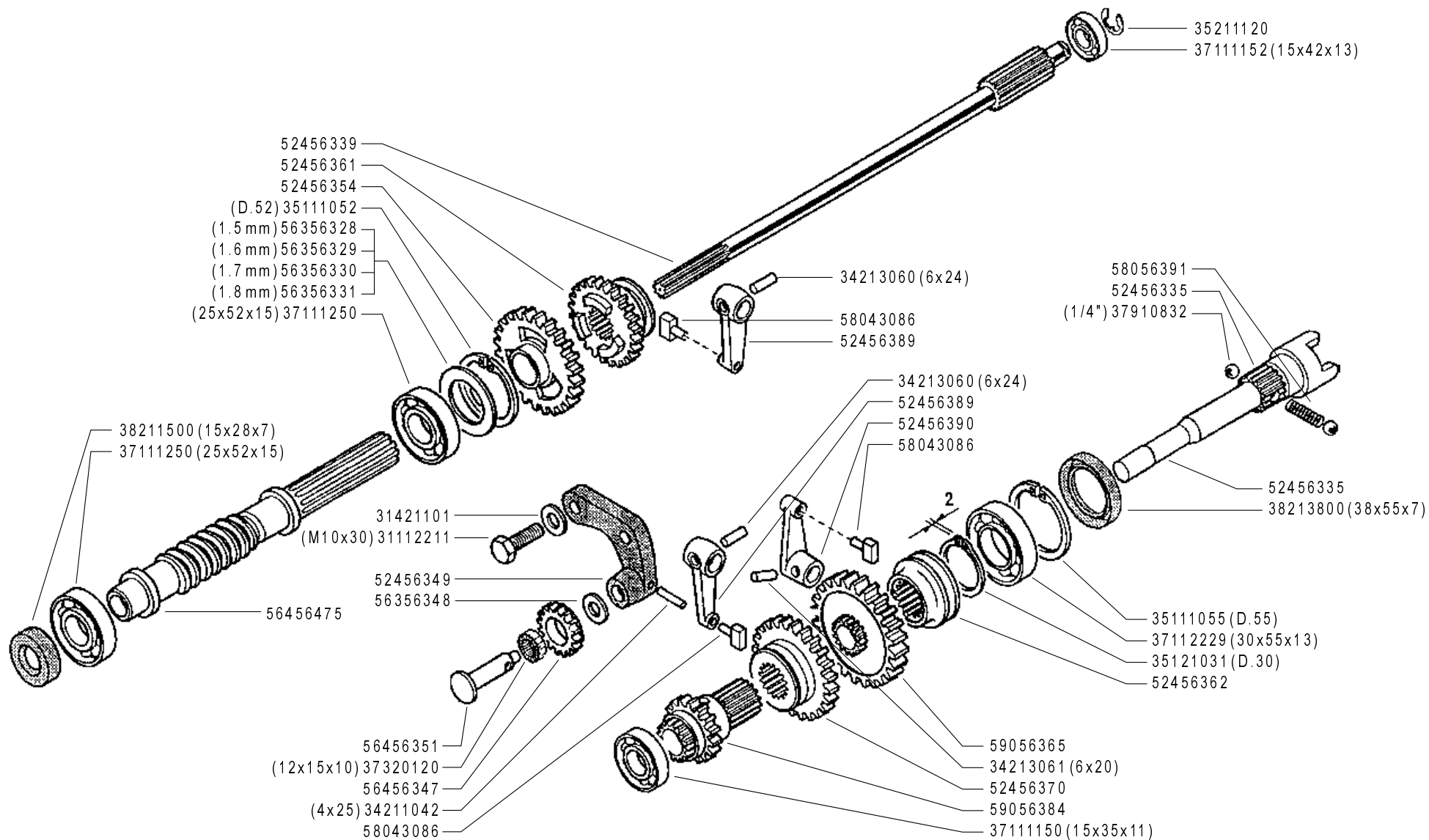
Pos.	Code	Q.ty	Description	Notes
31112211	31112211	1	SCREW TE M10X30 UNI 5739	
31421101	31421101	1	WASHER	
34211042	34211042	1	ROLL PIN	
34213060	34213060	1	ROLL PIN	
34213061	34213061	1	ROLL PIN	
35111052	35111052	1	SEEGER RING I 52 DIN 472	
35111055	35111055	1	SEEGER RING I 55 DIN 472	
35121031	35121031	1	SEEGER RING E 30 UNI 7436	
35211120	35211120	1	SEEGER RING E 12 UNI 7434	
37111150	37111150	1	BEARING	
37111152	37111152	1	BEARING	
37111250	37111250	1	BEARING	
37112229	37112229	1	BEARING	
37320120	37320120	1	ROLLER CAGE 12X15/10	
37910832	37910832	1	BALL 1/4	
38211500	38211500	1	OIL SEAL 15X28X7	
38213800	38213800	1	OIL SEAL 38X55X7	
52456335	52456335	1	PTO SHAFT	
52456339	52456339	1	SHAFT	
52456349	52456349	1	GEAR SUPPORT	
52456354	52456354	1	GEAR	
52456361	52456361	1	SLIDER	
52456362	52456362	1	COUPLING	
52456370	52456370	1	SLIDER	
52456389	52456389	1	LEVER	
52456390	52456390	1	LEVER	
56356328	56356328	1	ADJUSTING RING SP=1,5	
56356329	56356329	1	ADJUSTING RING SP=1,6	
56356330	56356330	1	ADJUSTING RING SP=1,7	
56356331	56356331	1	ADJUSTING RING SP=1,8	
56356348	56356348	1	ADJUSTING RING	
56456347	56456347	1	GEAR	
56456351	56456351	1	GEAR PIN	
56456475	56456475	1	SCREW	

SERIAL

GEARS

CODE REV

F02_0_27212



FERRARI

300 TRENDY

INGRANAGGI CAMBIO (320-330)

GEARS
ENGRANAJES

ENGRANAGES
ZÄHNRÄDER

DALLA MACCHINA
FROM THE MACHINE
DE LA MACHINE
DE LA MAQUINA
AB DER MASCHINE

N.

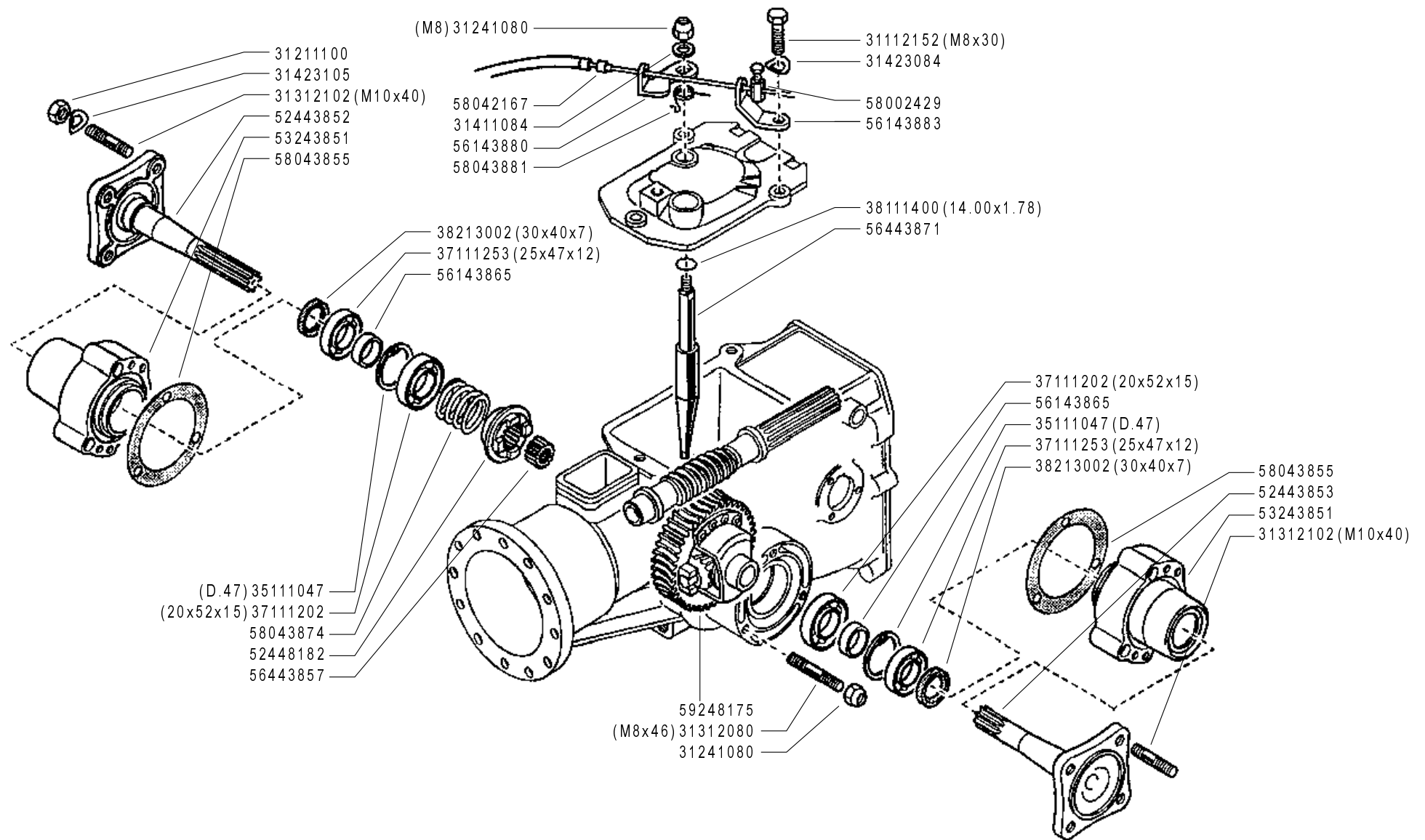
F02 0

11/2006

Rev.

ZENNE

Pos.	Code	Q.ty	Description	Notes
58043086	58043086	1	SHOE	
58056391	58056391	1	SPRING	
59056365	59056365	1	PTO GEAR	
59056384	59056384	1	DOUBLE GEAR	



FERRARI

300 TRENDY

DIFFERENZIALE (330)

DIFFERENTIAL
DIFFERENCIAL

DIFFERENTIEL
DIFFERENTIAL

DALLA MACCHINA
FROM THE MACHINE
DE LA MACHINE
DE LA MAQUINA
AB DER MASCHINE

N.

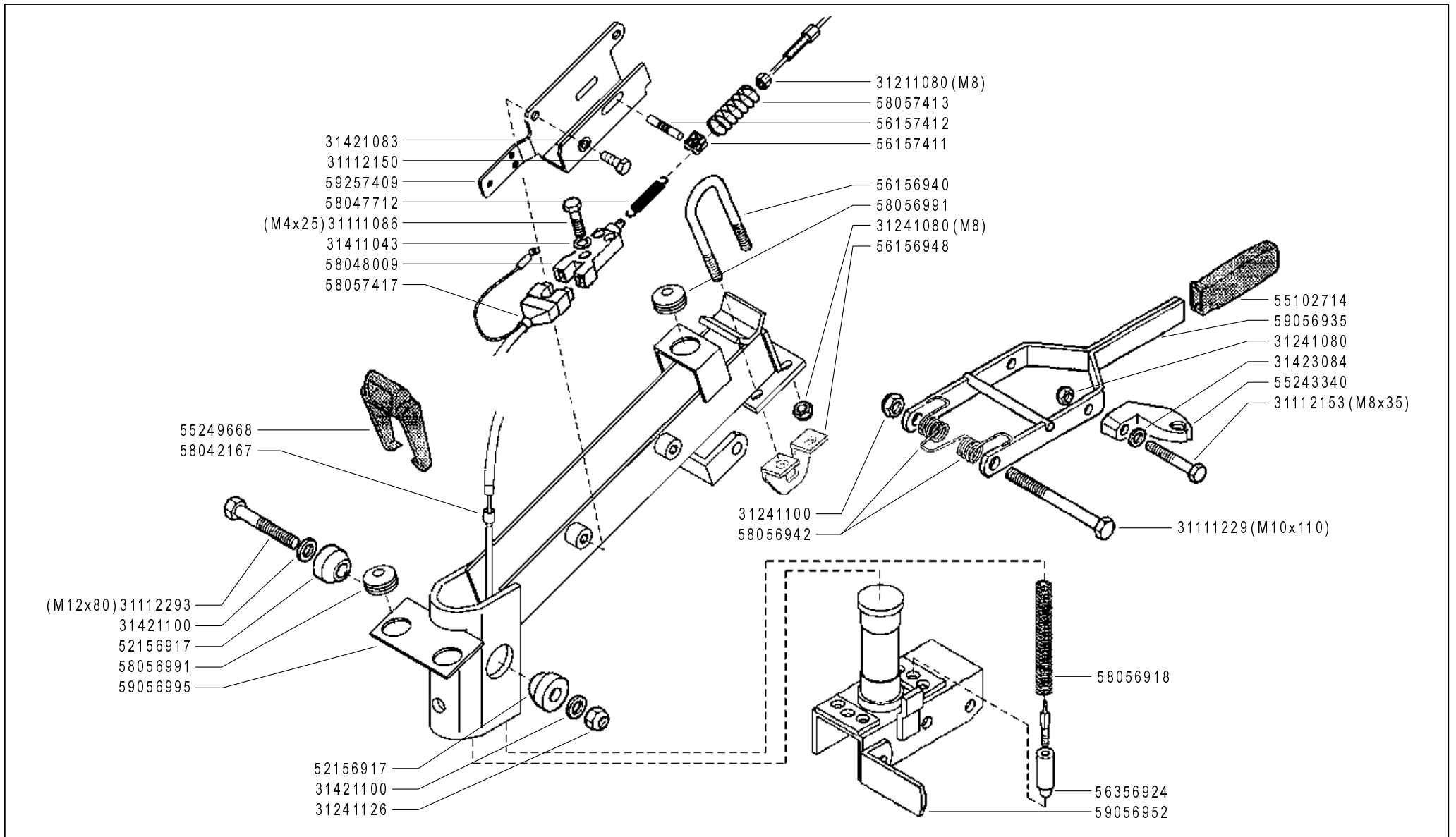
G02 0

11/2006

Rev.

ZENNE

Pos.	Code	Q.ty	Description	Notes
31112152	31112152	1	SCREW TE M8X30 UNI 5739 8G	
31211100	31211100	1	NUT M10	
31241080	31241080	1	SELFLOCK NUT M8	
31312080	31312080	1	STUD BOLT M8X46X20X12	
31312102	31312102	1	STUD BOLT M10X40X24X12	
31411084	31411084	1	WASHER 8,4x17	
31423084	31423084	1	SPRING WASHER 8,4	
31423105	31423105	1	SPRING WASHER 10,5	
35111047	35111047	1	SEEGER RING I 47 DIN 472	
37111202	37111202	1	BEARING	
37111253	37111253	1	BEARING	
38111400	38111400	1	O-RING 2056 (14,00X1,78)	
38213002	38213002	1	OIL SEAL 30X40X7	
52443852	52443852	1	AXLE SHAFT	
52443853	52443853	1	AXLE SHAFT	
52448182	52448182	1	COUPLING	
53243851	53243851	1	HUB	
56143865	56143865	1	RING	
56143880	56143880	1	SMALL LEVER	
56143883	56143883	1	STOP	
56443857	56443857	1	SPACER	
56443871	56443871	1	ROD	
58002429	58002429	1	CLAMPING SCREW	
58042167	58042167	1	SHEATH TERMINAL	
58043855	58043855	1	GASKET	
58043874	58043874	1	SPRING	
58043881	58043881	1	SPRING	
59248175	59248175	1	DIFFERENTIAL GEAR	



FERRARI

300 TRENDY

PIANTONE (320-330)

STEERING COLUMN
COLUMNNA

PLANTON
LENKSÄULE

DALLA MACCHINA
FROM THE MACHINE
DE LA MACHINE
DE LA MAQUINA
AB DER MASCHINE

N.

H02 0

11/2006

Rev.

ZENNE

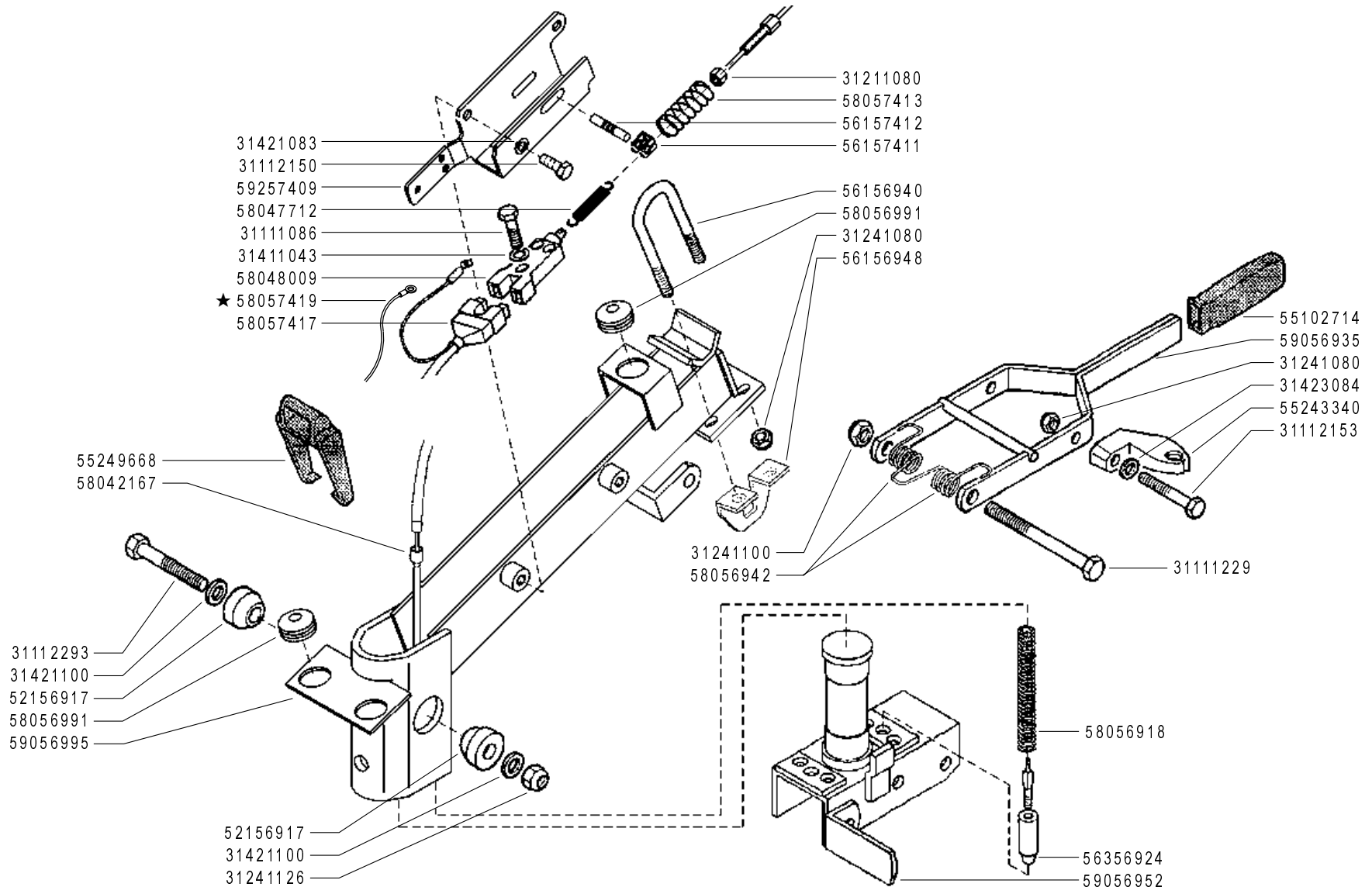
Pos.	Code	Q.ty	Description	Notes
31111086	31111086	1	SCREW TE M4X25 UNI 5739 8G	
31111229	31111229	1	SCREW TE M10X110 UNI 5737 8G	
31112150	31112150	1	SCREW TE M8X20 UNI 5739 8G	
31112153	31112153	1	SCREW TE M8X35 UNI 5739 8G	
31112293	31112293	1	SCREW TE M12X80 UNI 5737	
31211080	31211080	1	NUT M8	
31241080	31241080	1	SELFLOCK NUT M8	
31241100	31241100	1	SELFLOCK NUT M10 6S	
31241126	31241126	1	SELFLOCK NUT M12	
31411043	31411043	1	WASHER 4,3X9	
31421083	31421083	1	WASHER	
31421100	31421100	1	CUP SPRING	
31423084	31423084	1	SPRING WASHER 8,4	
52156917	52156917	1	WEDGE	
55102714	55102714	1	KNOB	
55243340	55243340	1	SUPPORT	
55249668	55249668	1	PASSING	
56156940	56156940	1	U BOLT	
56156948	56156948	1	STOP	
56157411	56157411	1	FORK	
56157412	56157412	1	PIN	
56356924	56356924	1	FERRULE	
58042167	58042167	1	SHEATH TERMINAL	
58047712	58047712	1	SPRING	
58048009	58048009	1	SWITCH	
58056918	58056918	1	SPRING	
58056942	58056942	1	SPRING	
58056991	58056991	1	CABLE GLAND	
58057413	58057413	1	RETAINING SPRING	
58057417	58057417	1	WIRING	
59056935	59056935	1	LEVER	
59056952	59056952	1	SUPPORT	
59056995	59056995	1	COLUMN	
59257409	59257409	1	SUPPORT	

SERIAL

STEERING COLUMN

CODE REV

H02_0_27310



FERRARI

300 TRENDY

PIANTONE (320-330)

STEERING COLUMN
COLUMNNA

PLANTON
LENKSÄULE

DALLA MACCHINA
FROM THE MACHINE
DE LA MACHINE
DE LA MAQUINA
AB DER MASCHINE

★ N.

794196

H02 1

06/2007

Rev.

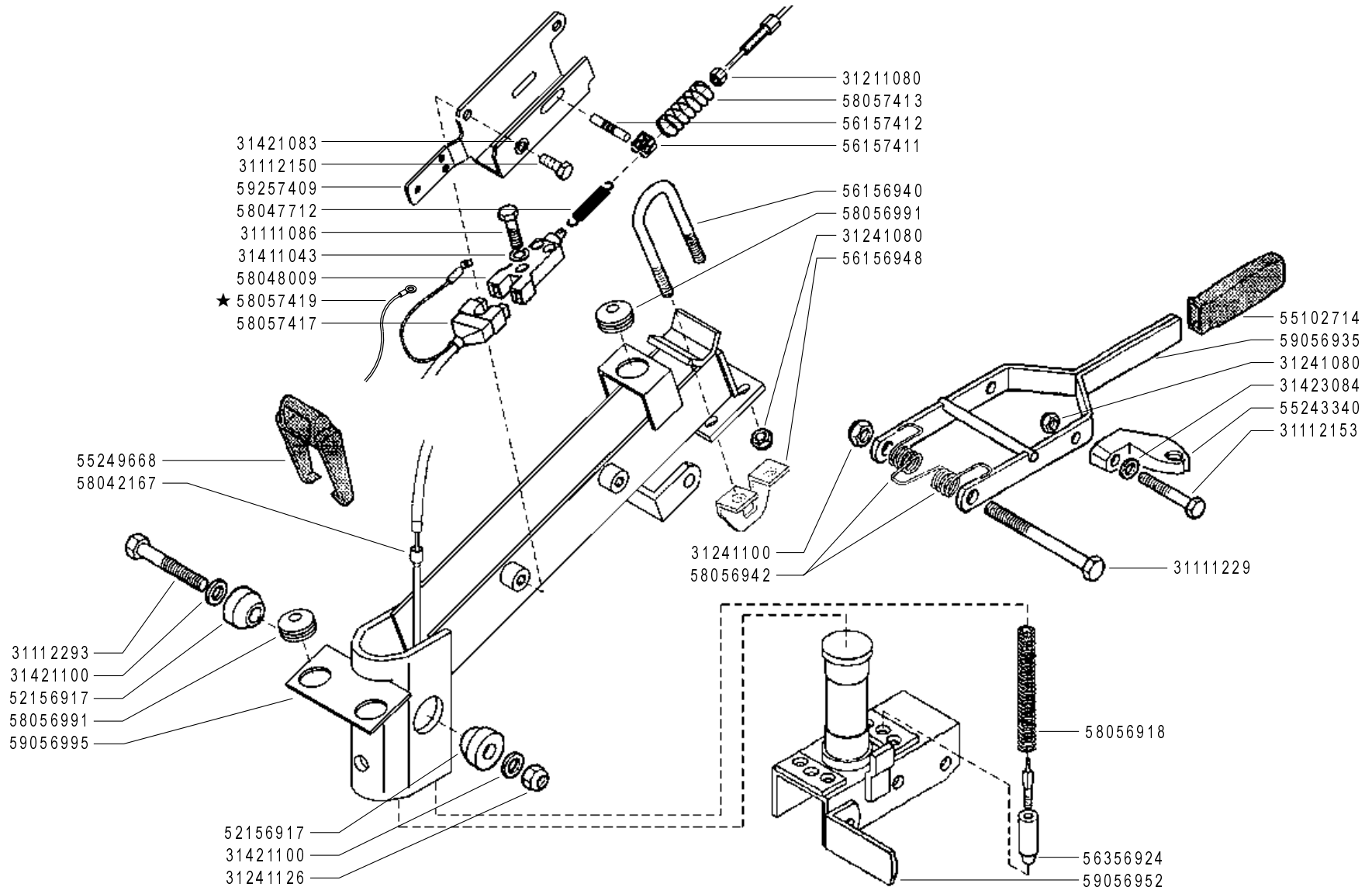
ZENNE

Pos.	Code	Q.ty	Description	Notes
31111086	31111086	1	SCREW TE M4X25 UNI 5739 8G	
31111229	31111229	1	SCREW TE M10X110 UNI 5737 8G	
31112150	31112150	1	SCREW TE M8X20 UNI 5739 8G	
31112153	31112153	1	SCREW TE M8X35 UNI 5739 8G	
31112293	31112293	1	SCREW TE M12X80 UNI 5737	
31211080	31211080	1	NUT M8	
31241080	31241080	1	SELFLOCK NUT M8	
31241100	31241100	1	SELFLOCK NUT M10 6S	
31241126	31241126	1	SELFLOCK NUT M12	
31411043	31411043	1	WASHER 4,3X9	
31421083	31421083	1	WASHER	
31421100	31421100	1	CUP SPRING	
31423084	31423084	1	SPRING WASHER 8,4	
52156917	52156917	1	WEDGE	
55102714	55102714	1	KNOB	
55243340	55243340	1	SUPPORT	
55249668	55249668	1	PASSING	
56156940	56156940	1	U BOLT	
56156948	56156948	1	STOP	
56157411	56157411	1	FORK	
56157412	56157412	1	PIN	
56356924	56356924	1	FERRULE	
58042167	58042167	1	SHEATH TERMINAL	
58047712	58047712	1	SPRING	
58048009	58048009	1	SWITCH	
58056918	58056918	1	SPRING	
58056942	58056942	1	SPRING	
58056991	58056991	1	CABLE GLAND	
58057413	58057413	1	RETAINING SPRING	
58057417	58057417	1	WIRING	
58057419	58057419	1	WIRING	
59056935	59056935	1	LEVER	
59056952	59056952	1	SUPPORT	
59056995	59056995	1	COLUMN	

SERIAL
START
794196

STEERING COLUMN

CODE REV
H02_1_60701



FERRARI

300 TRENDY

PIANTONE (320-330)

STEERING COLUMN
COLUMNNA

PLANTON
LENKSÄULE

DALLA MACCHINA
FROM THE MACHINE
DE LA MACHINE
DE LA MAQUINA
AB DER MASCHINE

★ N.

794196

H02

Rev.

1

06/2007

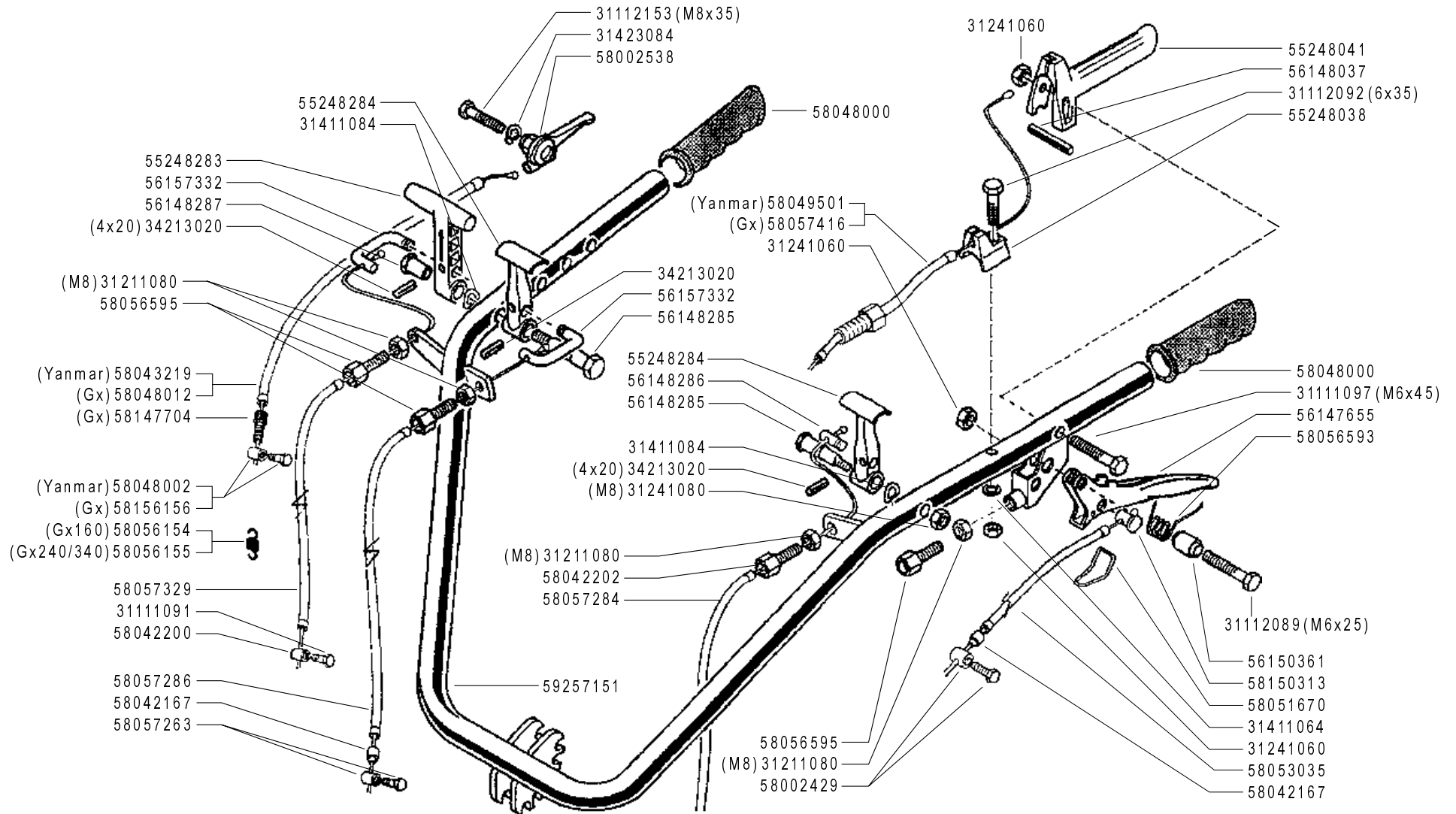
ZENNE

Pos.	Code	Q.ty	Description	Notes
59257409	59257409	1	SUPPORT	

SERIAL
START
794196

STEERING COLUMN

CODE REV
H02_1_60701



FERRARI

300 TRENDY

MANUBRIO (320-330)

HANDLEBAR
 MANILLAR

MANCHERON
 LENKER

DALLA MACCHINA
 FROM THE MACHINE
 DE LA MACHINE
 DE LA MAQUINA
 AB DER MASCHINE

N.

I02 0

11/2006

Rev.

ZENNE

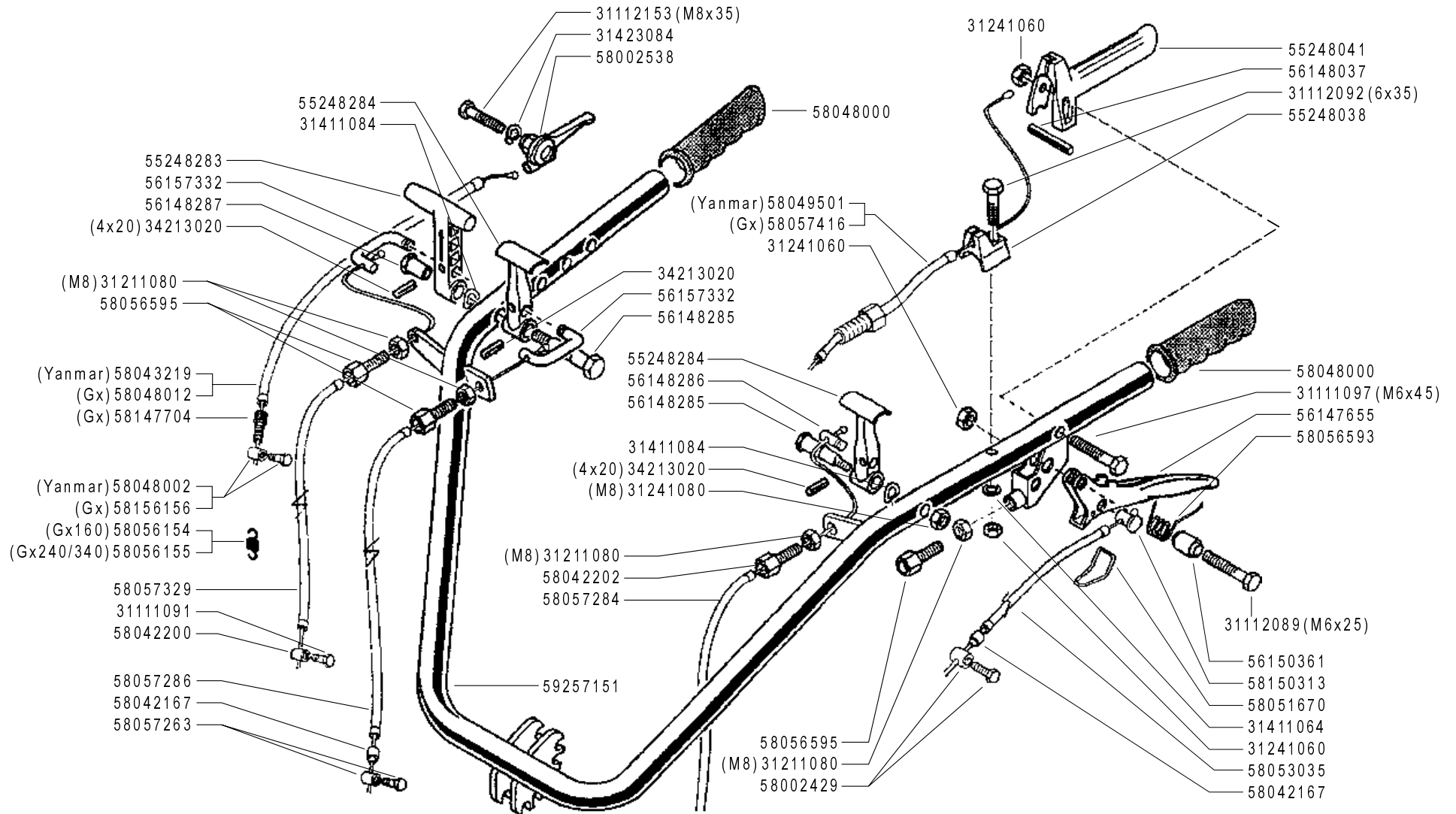
Pos.	Code	Q.ty	Description	Notes
31111091	31111091	1	SCREW E M6X14 UNI 5739 8G	
31111097	31111097	1	SCREW TE M6X45 UNI 5737 8G	
31112089	31112089	1	SCREW TE M6X25 UNI 5739 8G	
31112092	31112092	1	SCREW TE M6X35 UNI 5739 8G	
31112153	31112153	1	SCREW TE M8X35 UNI 5739 8G	
31211080	31211080	1	NUT M8	
31241060	31241060	1	SELFLOCK NUT M6	
31241080	31241080	1	SELFLOCK NUT M8	
31411064	31411064	1	WASHER 6,4x12,5	
31411084	31411084	1	WASHER 8,4x17	
31423084	31423084	1	SPRING WASHER 8,4	
34213020	34213020	1	ROLL PIN	
55248038	55248038	1	STOP	
55248041	55248041	1	LEVER	
55248283	55248283	1	COMMAND LEVER	
55248284	55248284	1	LEVER	
56147655	56147655	1	CLUTCH LEVER	
56148037	56148037	1	LEVER STOP	
56148285	56148285	1	PIN	
56148286	56148286	1	PIN	
56148287	56148287	1	STUD BOLT	
56150361	56150361	1	SPACER	
56157332	56157332	1	U BOLT	
58002429	58002429	1	CLAMPING SCREW	
58002538	58002538	1	COMMAND LEVER	
58042167	58042167	1	SHEATH TERMINAL	
58042200	58042200	1	CLAMPING SCREW	
58042202	58042202	1	ADJUSTING SCREW	
58043219	58043219	1	LINE AND SHEATH	
58048000	58048000	1	KNOB	
58048002	58048002	1	CLAMPING SCREW	
58048012	58048012	1	LINE AND SHEATH	
58049501	58049501	1	LINE AND SHEATH	
58051670	58051670	1	CLEVIS	

SERIAL

HANDLEBAR

CODE REV

I02_0_27387



FERRARI

300 TRENDY

MANUBRIO (320-330)

HANDLEBAR
 MANILLAR

MANCHERON
 LENKER

DALLA MACCHINA
 FROM THE MACHINE
 DE LA MACHINE
 DE LA MAQUINA
 AB DER MASCHINE

N.

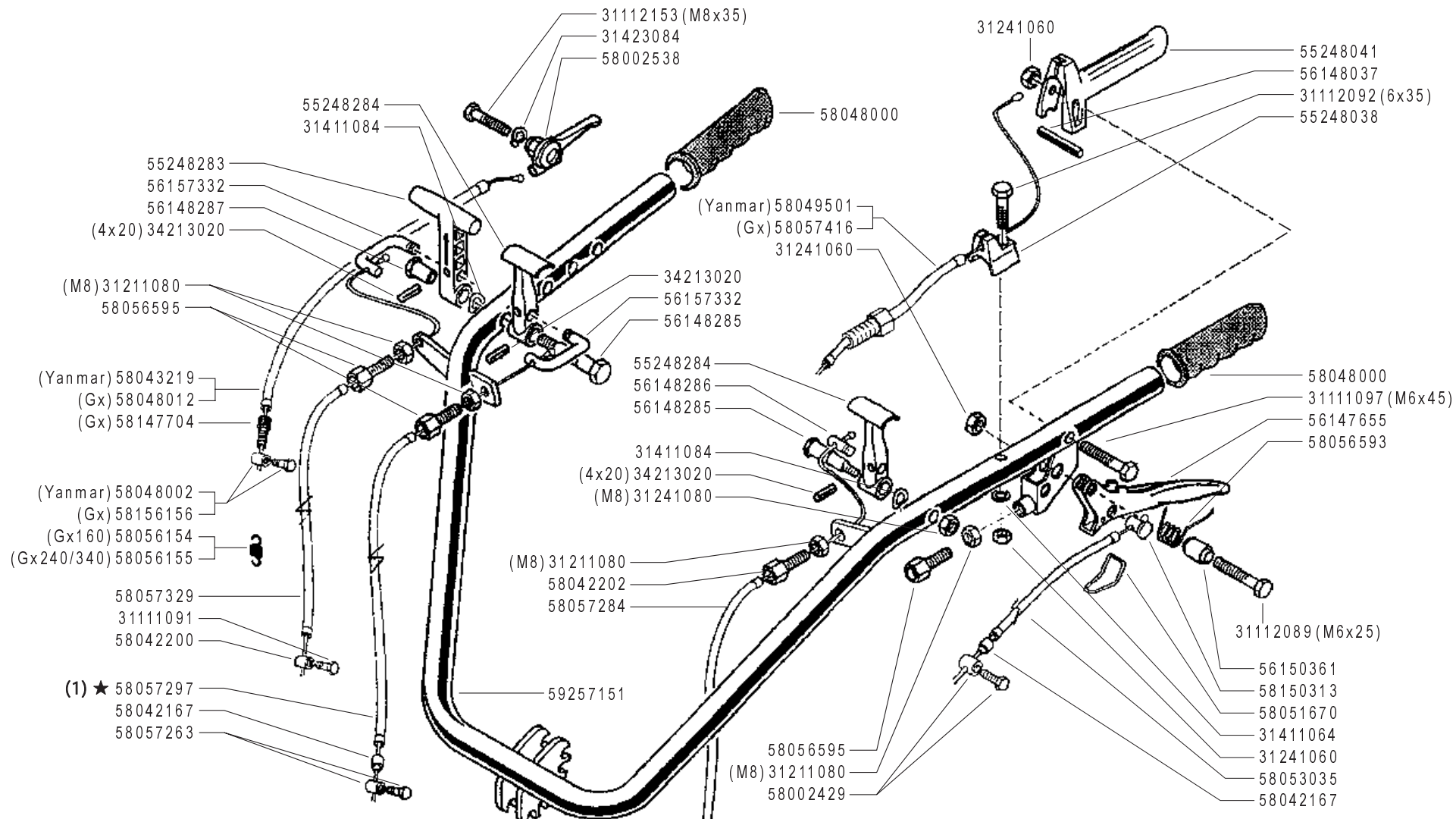
I02 0

11/2006

Rev.

ZENNE

Pos.	Code	Q.ty	Description	Notes
58053035	58053035	1	LINE AND SHEATH	
58056154	58056154	1	RESTORING SPRING	Utilizzato con motore GX200
58056155	58056155	1	RESTORING SPRING	Utilizzato con motore GX270
58056593	58056593	1	SPRING	
58056595	58056595	1	ADJUSTING SCREW	
58057263	58057263	1	CLAMPING SCREW	
58057284	58057284	1	LINE AND SHEATH	
58057286	58057286	1	LINE AND SHEATH	
58057329	58057329	1	LINE AND SHEATH	
58057416	58057416	1	LINE AND SHEATH	
58147704	58147704	1	ADJUSTING SCREW	
58150313	58150313	1	CABLE CLAMP	
58156156	58156156	1	TERMINAL	
59257151	59257151	1	COMPLETE HANDLE BAR	



(1) sostituisce 58057286

	<h1>300 TRENDY</h1>	MANUBRIO (320-330) HANDLEBAR MANILLAR	DALLA MACCHINA FROM THE MACHINE DE LA MACHINE DE LA MAQUINA AB DER MASCHINE	AGGIORNAMENTO	I02	Rev.
				REVISION		1
				MISE A JOUR		
				APLAZAMIENTO		
				ANPASSUNG		
			★ N.	06/2007	ZENNE	

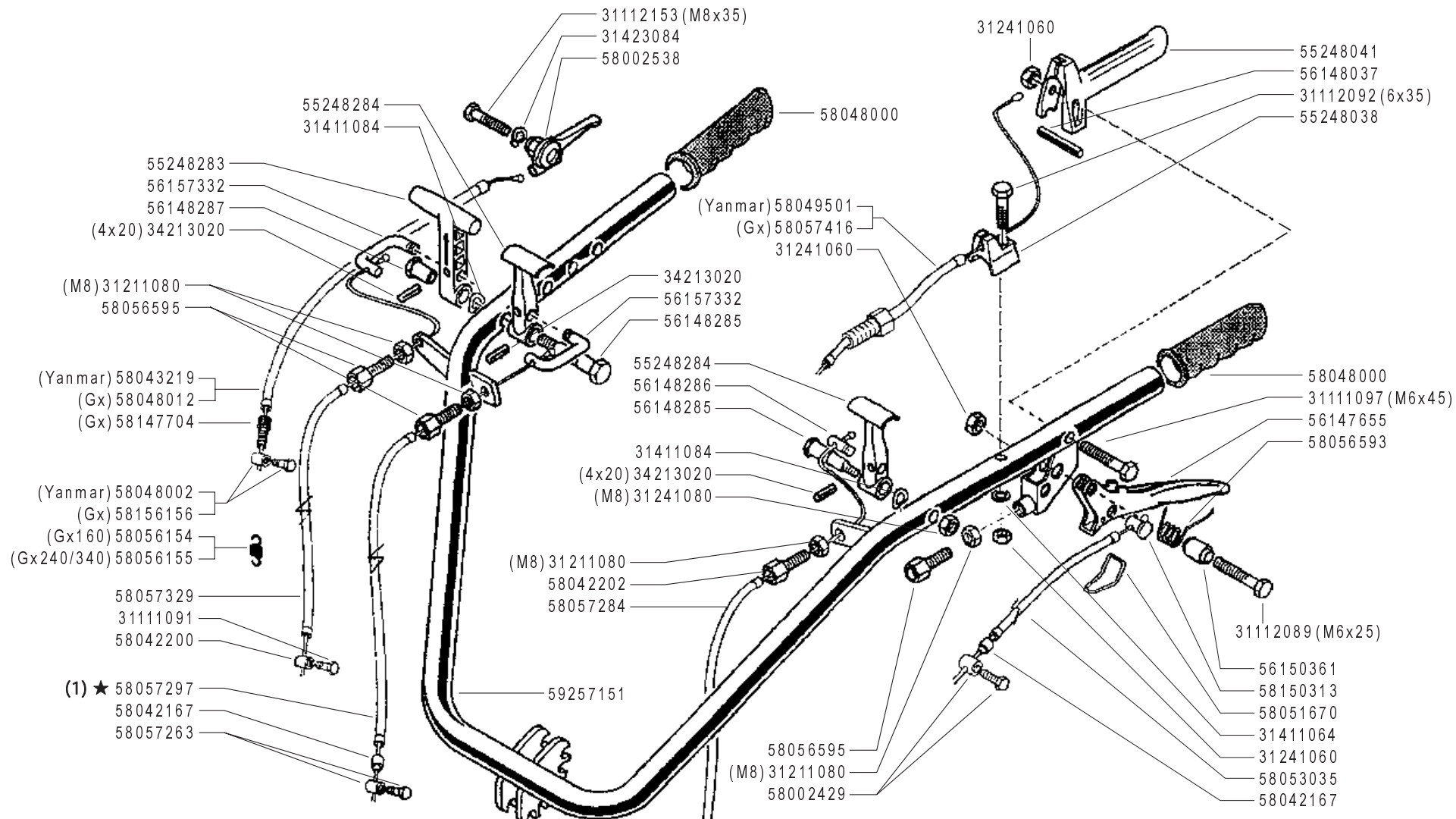
Pos.	Code	Q.ty	Description	Notes
31111091	31111091	1	SCREW E M6X14 UNI 5739 8G	
31111097	31111097	1	SCREW TE M6X45 UNI 5737 8G	
31112089	31112089	1	SCREW TE M6X25 UNI 5739 8G	
31112092	31112092	1	SCREW TE M6X35 UNI 5739 8G	
31112153	31112153	1	SCREW TE M8X35 UNI 5739 8G	
31211080	31211080	1	NUT M8	
31241060	31241060	1	SELFLOCK NUT M6	
31241080	31241080	1	SELFLOCK NUT M8	
31411064	31411064	1	WASHER 6,4x12,5	
31411084	31411084	1	WASHER 8,4x17	
31423084	31423084	1	SPRING WASHER 8,4	
34213020	34213020	1	ROLL PIN	
55248038	55248038	1	STOP	
55248041	55248041	1	LEVER	
55248283	55248283	1	COMMAND LEVER	
55248284	55248284	1	LEVER	
56147655	56147655	1	CLUTCH LEVER	
56148037	56148037	1	LEVER STOP	
56148285	56148285	1	PIN	
56148286	56148286	1	PIN	
56148287	56148287	1	STUD BOLT	
56150361	56150361	1	SPACER	
56157332	56157332	1	U BOLT	
58002429	58002429	1	CLAMPING SCREW	
58002538	58002538	1	COMMAND LEVER	
58042167	58042167	1	SHEATH TERMINAL	
58042200	58042200	1	CLAMPING SCREW	
58042202	58042202	1	ADJUSTING SCREW	
58043219	58043219	1	LINE AND SHEATH	
58048000	58048000	1	KNOB	
58048002	58048002	1	CLAMPING SCREW	
58048012	58048012	1	LINE AND SHEATH	
58049501	58049501	1	LINE AND SHEATH	
58051670	58051670	1	CLEVIS	

SERIAL

HANDLEBAR

CODE REV

I02_1_45506



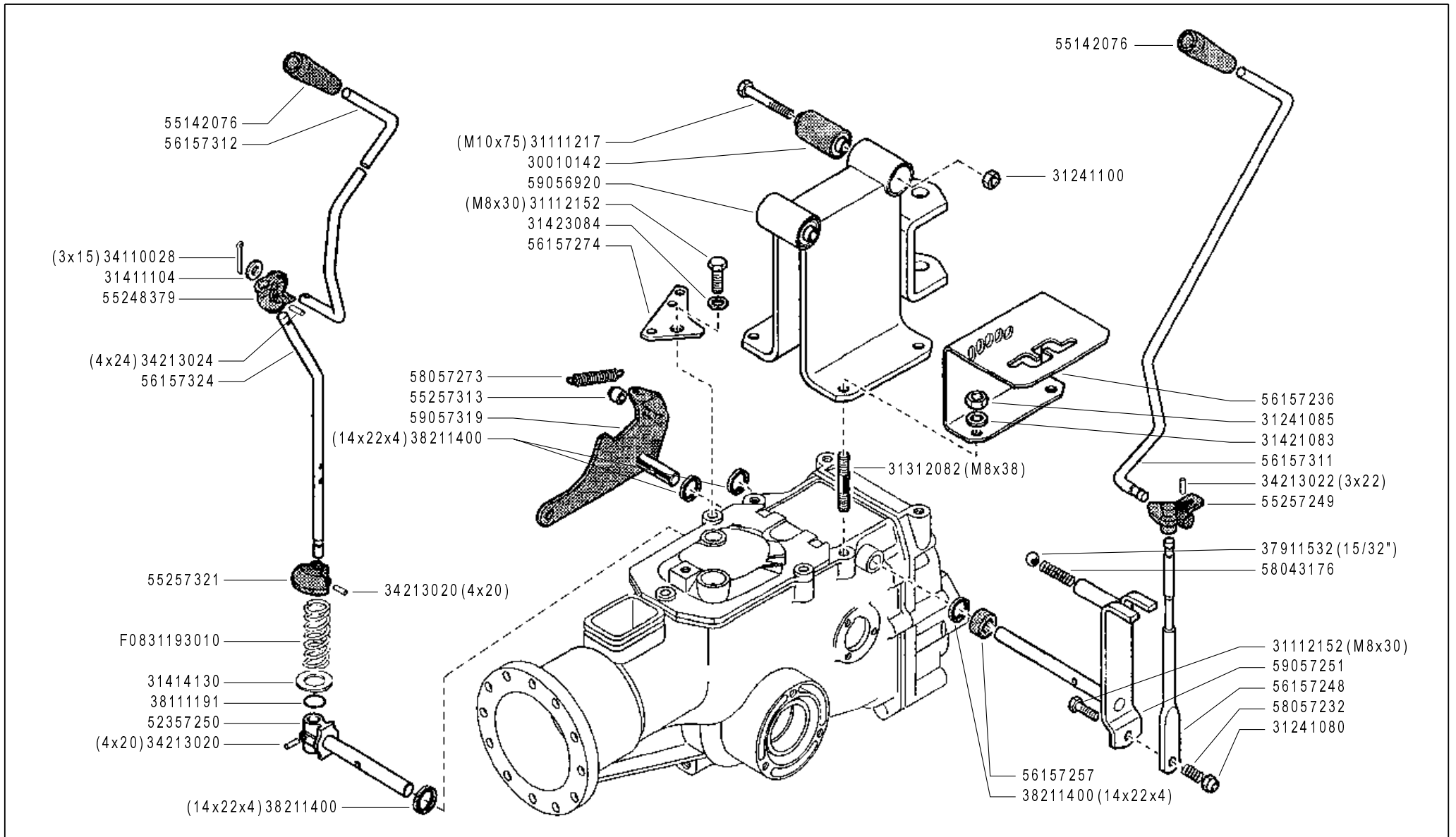
(1) sostituisce 58057286

	<h1>300 TRENDY</h1>	MANUBRIO (320-330) HANDLEBAR MANILLAR	DALLA MACCHINA FROM THE MACHINE DE LA MACHINE DE LA MAQUINA AB DER MASCHINE	AGGIORNAMENTO	I02	Rev.
				REVISION		1
				MISE A JOUR		
				APLAZAMIENTO		
				ANPASSUNG		

★ N.

ZENNE

Pos.	Code	Q.ty	Description	Notes
58053035	58053035	1	LINE AND SHEATH	
58056154	58056154	1	RESTORING SPRING	Utilizzato con motore GX200
58056155	58056155	1	RESTORING SPRING	Utilizzato con motore GX270
58056593	58056593	1	SPRING	
58056595	58056595	1	ADJUSTING SCREW	
58057263	58057263	1	CLAMPING SCREW	
58057284	58057284	1	LINE AND SHEATH	
58057297	58057297	1	LINE AND SHEATH	
58057329	58057329	1	LINE AND SHEATH	
58057416	58057416	1	LINE AND SHEATH	
58147704	58147704	1	ADJUSTING SCREW	
58150313	58150313	1	CABLE CLAMP	
58156156	58156156	1	TERMINAL	
59257151	59257151	1	COMPLETE HANDLE BAR	



FERRARI

300 TRENDY

COMANDI (320-330)

CONTROLS
MANDOS

COMMANDES
ANTRIEBE

DALLA MACCHINA
FROM THE MACHINE
DE LA MACHINE
DE LA MAQUINA
AB DER MASCHINE

N.

J02 0

11/2006

Rev.

ZENNE

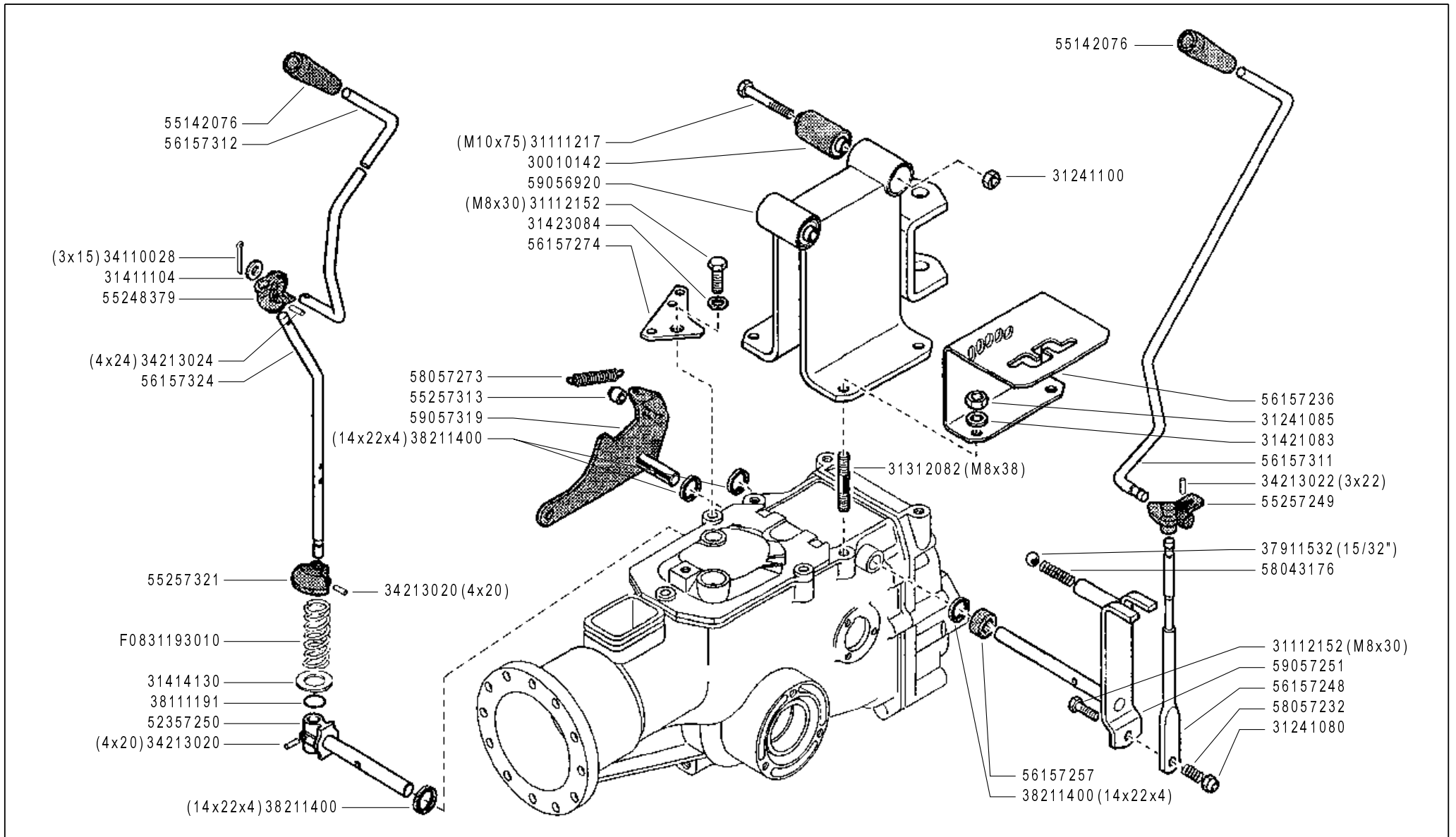
Pos.	Code	Q.ty	Description	Notes
30010142	30010142	1	SILENT-BLOCK 10,2X30X45X49	
31111217	31111217	1	SCREW TE M10X75 UNI 5737 8G	
31112152	31112152	1	SCREW TE M8X30 UNI 5739 8G	
31241080	31241080	1	SELFLOCK NUT M8	
31241085	31241085	1	SELFLOCK NUT M8 6S	
31241100	31241100	1	SELFLOCK NUT M10 6S	
31312082	31312082	1	STUD BOLT M8X38X14X20	
31411104	31411104	1	WASHER 10,5x18	
31414130	31414130	1	WASHER 13	
31421083	31421083	1	WASHER	
31423084	31423084	1	SPRING WASHER 8,4	
34110028	34110028	1	SPLIT PIN	
34213020	34213020	1	ROLL PIN	
34213022	34213022	1	ROLL PIN	
34213024	34213024	1	ROLL PIN	
37911532	37911532	1	BALL 15/32	
38111191	38111191	1	O-RING 115 (11,91X2,62)	
38211400	38211400	1	OIL SEAL 14X22X4	
52357250	52357250	1	PIN	
55142076	55142076	1	KNOB	
55248379	55248379	1	JOINT	
55257249	55257249	1	JOINT	
55257313	55257313	1	ROLLER	
55257321	55257321	1	STOP	
56157236	56157236	1	GEAR SELECTOR	
56157248	56157248	1	COMMAND LEVER	
56157257	56157257	1	SPACER	
56157274	56157274	1	SQUARE	
56157311	56157311	1	GEARSHIFT ROD	
56157312	56157312	1	ROD	
56157324	56157324	1	PTO LEVER	
58043176	58043176	1	SPRING	
58057232	58057232	1	SPRING	
58057273	58057273	1	SPRING	

SERIAL

CONTROLS

CODE REV

J02_0_27474



FERRARI

300 TRENDY

COMANDI (320-330)

CONTROLS
MANDOS

COMMANDES
ANTRIEBE

DALLA MACCHINA
FROM THE MACHINE
DE LA MACHINE
DE LA MAQUINA
AB DER MASCHINE

N.

J02 0

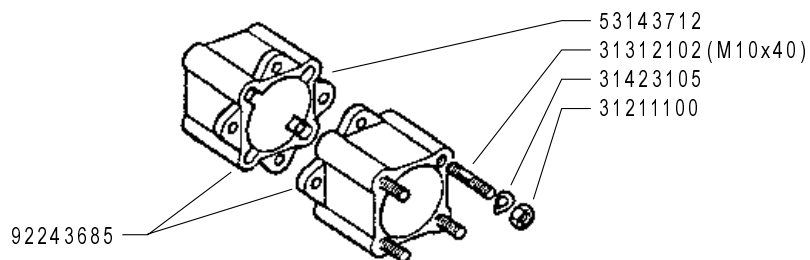
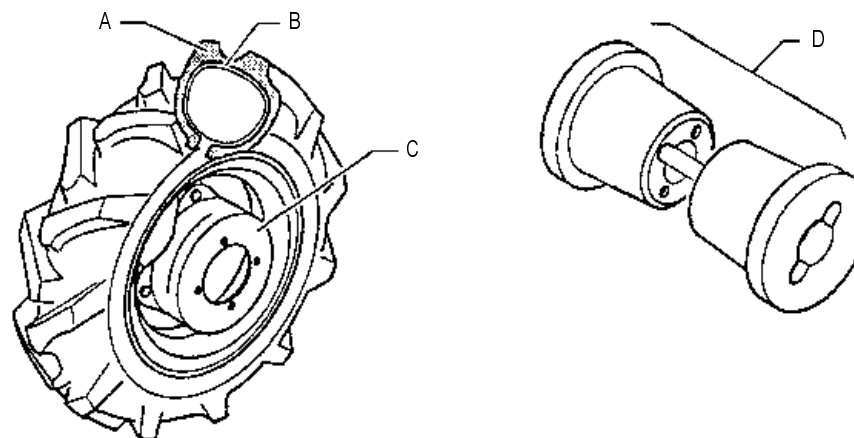
11/2006

Rev.

ZENNE

Pos.	Code	Q.ty	Description	Notes
59056920	59056920	1	SUPPORT	
59057251	59057251	1	GEAR LEVER	
59057319	59057319	1	LEVER	
F0831193	F0831193010	1	SPRING DM.15X70	

	A	B	C	D
3.50 - 8"	39113502	39413502	58052326	92243686 (Kg.10)
4.00 - 8"	39114008	39414008	58052326	92243686 (Kg.10)
4.0 - 10"	39114010	39414010	58052327	92248715 (Kg.15)
5.0 - 10"	39115010	39415010	58052327	92248715 (Kg.15)
5.00 - 12"	39115012	39415012	58052328	92248720 (Kg.34)



FERRARI

300 TRENDY

WHEELS
RUEDAS

RUOTE

ROUES
RÄDER

DALLA MACCHINA
FROM THE MACHINE
DE LA MACHINE
DE LA MAQUINA
AB DER MASCHINE

N.

K01 0

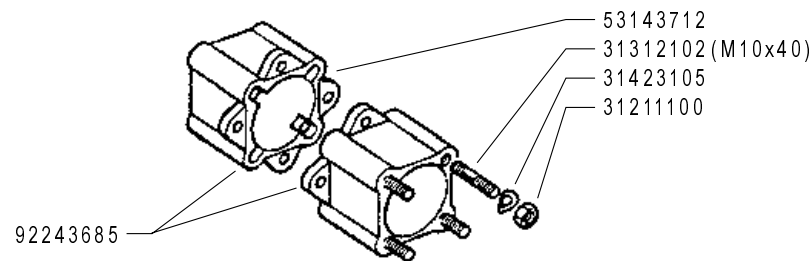
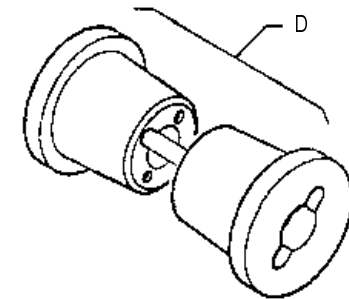
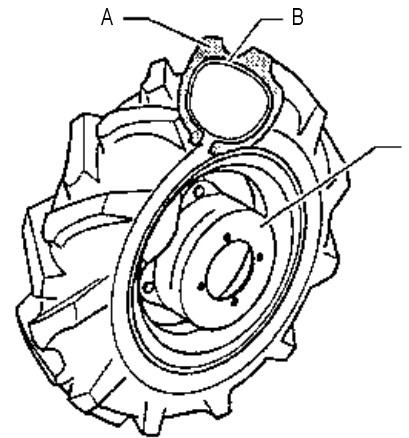
11/2006

Rev.

ZENNE

Pos.	Code	Q.ty	Description	Notes
31211100	31211100	1	NUT M10	
31312102	31312102	1	STUD BOLT M10X40X24X12	
31423105	31423105	1	SPRING WASHER 10,5	
39113502	39113502	1	TYRE 3.50-8 2PR	
39114008	39114008	1	TYRE 4.00-8 2PR	
39114010	39114010	1	TYRE 4.0-10 2PR	
39115010	39115010	1	TYRE 5.00-10 2PR	
39115012	39115012	1	TYRE 5.00-12 2PR	
39413502	39413502	1	INNER TUBE	
39414008	39414008	1	INNER TUBE	
39414010	39414010	1	INNER TUBE	
39415010	39415010	1	INNER TUBE	
39415012	39415012	1	INNER TUBE	
53143712	53143712	1	SPACER	
58052326	58052326	1	RIM	
58052327	58052327	1	RIM	
58052328	58052328	1	RIM	
92243685	92243685	1	PAIR WHEEL SPACERS 6 CM	
92243686	92243686	1	PAIR OF WEIGHTS FOR 8 WHEELS 11 KGS	
92248715	92248715	1	PAIR OF WEIGHTS FOR 10 WHEELS 15 KGS	
92248720	92248720	1	PAIR OF WEIGHTS FOR 12 AND 15 WHEELS - 34 KGS	

	A	B	C	D
	39113502	39413502	58052326	92243686 (Kg.10)
	39114008	39414008	58052326	92243686 (Kg.10)
★	39114010	39414010	58052288 (FIX)	/
	39114010	39414010	58052327	92248715 (Kg.15)
★	39115010	39415010	58052288 (FIX)	/
	39115010	39415010	58052327	92248715 (Kg.15)
	39115012	39415012	58052328	92248720 (Kg.34)
★	39116018	39416018	58052328	92480721 (Kg.34)



FERRARI

300 TRENDY

WHEELS
RUEDAS

RUOTE

ROUES
RÄDER

DALLA MACCHINA
FROM THE MACHINE
DE LA MACHINE
DE LA MAQUINA
AB DER MASCHINE

AGGIORNAMENTO
REVISION
MISE A JOUR
APLAZAMIENTO
ANPASSUNG

★ N.

K01

Rev.

1

10/2008

ZENNE

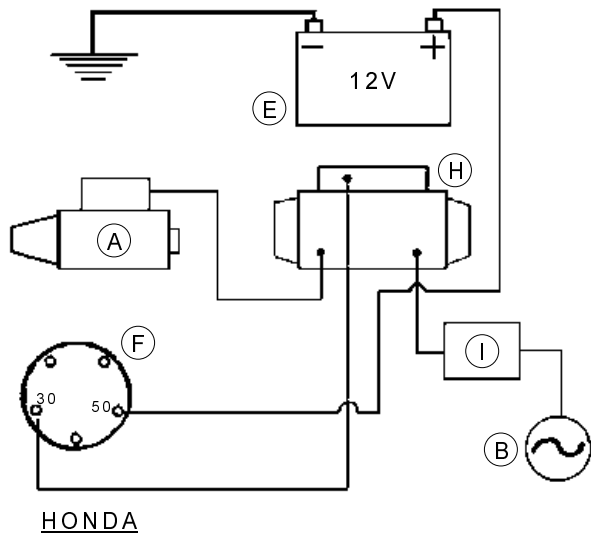
Pos.	Code	Q.ty	Description	Notes
31211100	31211100	1	NUT M10	
31312102	31312102	1	STUD BOLT M10X40X24X12	
31423105	31423105	1	SPRING WASHER 10,5	
39113502	39113502	1	TYRE 3.50-8 2PR	
39114008	39114008	1	TYRE 4.00-8 2PR	
39114010	39114010	1	TYRE 4.0-10 2PR	
39115010	39115010	1	TYRE 5.00-10 2PR	
39115012	39115012	1	TYRE 5.00-12 2PR	
39116018	39116018	1	TYRE 6.5/80-12 2PR	
39413502	39413502	1	INNER TUBE	
39414008	39414008	1	INNER TUBE	
39414010	39414010	1	INNER TUBE	
39415010	39415010	1	INNER TUBE	
39415012	39415012	1	INNER TUBE	
39416018	39416018	1	INNER TUBE	
53143712	53143712	1	SPACER	
58052288	58052288	1	RIM	
58052326	58052326	1	RIM	
58052327	58052327	1	RIM	
58052328	58052328	1	RIM	
92243685	92243685	1	PAIR WHEEL SPACERS 6 CM	
92243686	92243686	1	PAIR OF WEIGHTS FOR 8 WHEELS 11 KGS	
92248715	92248715	1	PAIR OF WEIGHTS FOR 10 WHEELS 15 KGS	
92248720	92248720	1	PAIR OF WEIGHTS FOR 12 AND 15 WHEELS - 34 KGS	
92480721	92480721	1	WEIGHTS KG. 34 FOR WHEELS 5.00-12 / 6.5/80-12 (PAIR) (0901012307)	

SERIAL

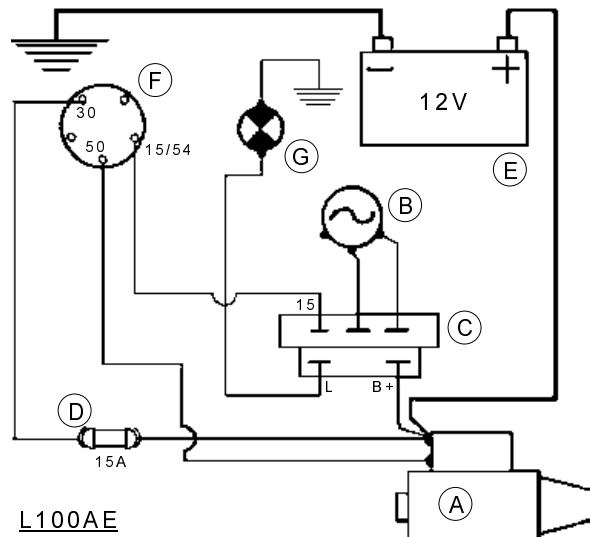
WHEELS

CODE REV

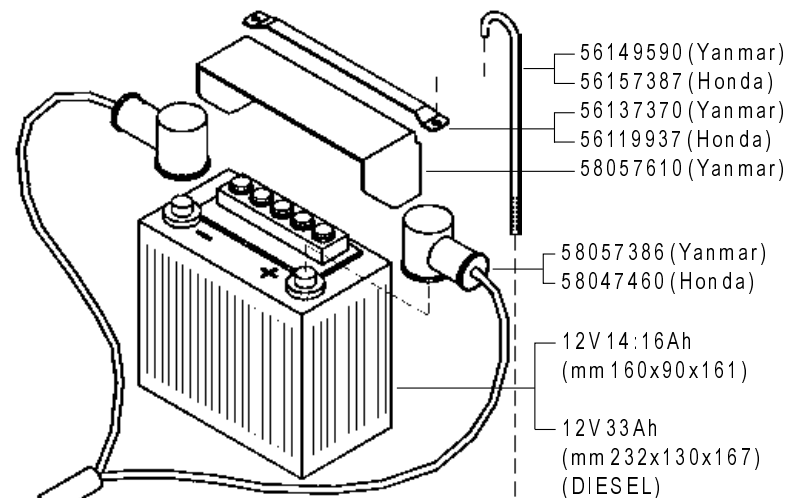
K01_1_60913



HONDA



L100AE



- 56149590 (Yanmar)
- 56157387 (Honda)
- 56137370 (Yanmar)
- 56119937 (Honda)
- 58057610 (Yanmar)

- 58057386 (Yanmar)
- 58047460 (Honda)

12V 14:16Ah
(mm 160x90x161)

12V 33Ah
(mm 232x130x167)
(DIESEL)

- (Yanmar) 30000276
- 58045807

- 58057611 (Yanmar)
- 58057397 (Honda)

- (Yanmar) 30000277

- 58045804 (Yanmar)
- 30000295 (Yanmar)
- 59057604 (Yanmar)
- 59057390 (Honda)

- 31121558
- 31411064
- 31241060

31241060 (M6)

A	B	C	D
MOTORINO D'AVVIAMENTO STARTER DÉMARREUR MOT. DE ARRANQUE ANLASSMOTOR	GENERATORE GENERATOR GÉNÉRATEUR GENERADOR GENERATOR	REGOLATORE REGULATOR RÉGULATEUR REGULADOR REGLER	FUSIBILI FUSES FUSIBLES FUSIBLES SCHMELZSICHERUNGEN

E	F	G	H	I
BATTERIA BATTERY BATTERIE BATERIA BATTERIE	INTERRUTTORE SWITCH INTERRUPTEUR INTERRUPTOR SCHALTER	SPIA CARICA BATTERIA BATTERY LONG WARN. LIGHT TEMOIN CHARG. BATTERIE LUZ CARGA BATERIA BATTERIELADUNG KTRL. LAMPE	SOLENOIDE SOLENOID SOLÉNOÏDE SOLENOIDE SOLENOID	DIODO DIODE DIODE DIODO DIODE

FERRARI

300 TRENDY

AVVIAMENTO ELETTRICO (320-330)

ELECTRIC STARTER
ARRANQUE ELECTRICO

DÉMARRAGE ÉLECTRIQUE
ELEKTROSTART

DALLA MACCHINA
FROM THE MACHINE
DE LA MACHINE
DE LA MAQUINA
AB DER MASCHINE

N.

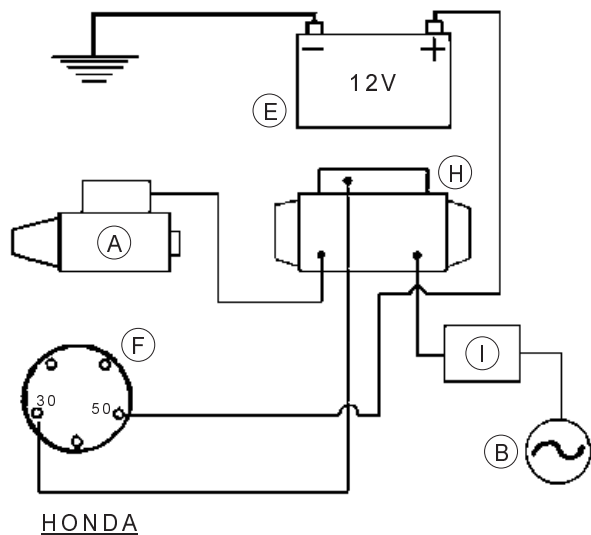
L01 0

11/2006

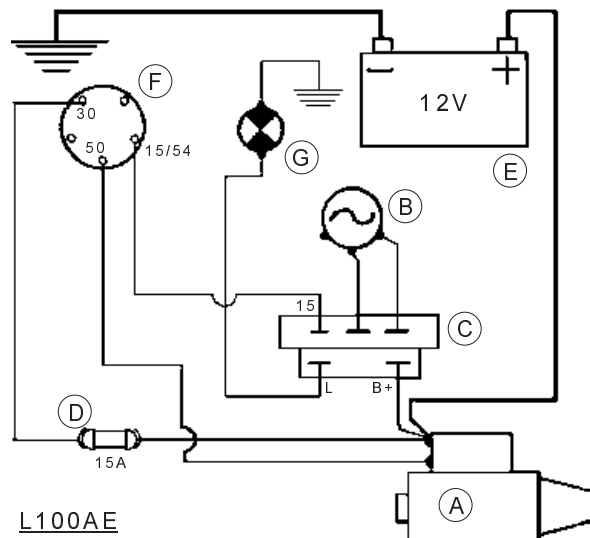
Rev.

ZENNE

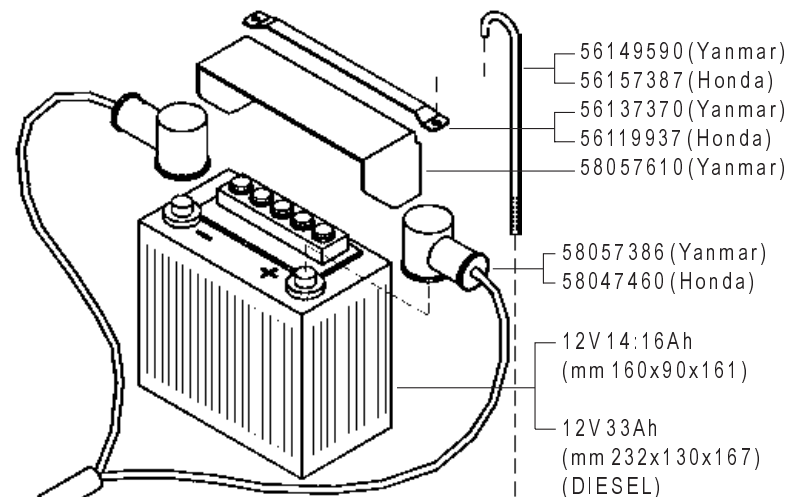
Pos.	Code	Q.ty	Description	Notes
30000276	30000276	1	KEY	
30000277	30000277	1	SWITCH	
30000295	30000295	1	LAMP	
31121558	31121558	1	SCREW TTQ M6X16 UNI 5731	
31241060	31241060	1	SELFLOCK NUT M6	
31411064	31411064	1	WASHER 6,4x12,5	
56119937	56119937	1	BATTERY SUPPORT	
56137370	56137370	1	BATTERY BRACKET	
56149590	56149590	1	BATTERY BRACKET	
56157387	56157387	1	ROD	
58045804	58045804	1	WARNING LIGHT	
58045807	58045807	1	LOCK COVER	
58047460	58047460	1	WIRING	
58057386	58057386	1	WIRING	
58057397	58057397	1	KIT	
58057610	58057610	1	BOX	
58057611	58057611	1	KIT	
59057390	59057390	1	BOX	
59057604	59057604	1	BOX	



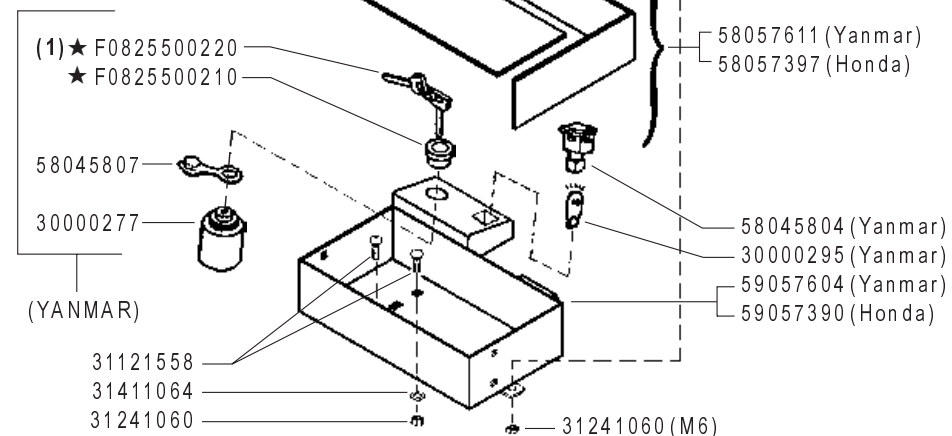
HONDA



L100AE



- 56149590 (Yanmar)
- 56157387 (Honda)
- 56137370 (Yanmar)
- 56119937 (Honda)
- 58057610 (Yanmar)
- 58057386 (Yanmar)
- 58047460 (Honda)
- 12V 14:16Ah
(mm 160x90x161)
- 12V 33Ah
(mm 232x130x167)
(DIESEL)



- (1) ★ F0825500220
- ★ F0825500210
- 58045807
- 30000277
- (YANMAR)
- 58057611 (Yanmar)
- 58057397 (Honda)
- 58045804 (Yanmar)
- 30000295 (Yanmar)
- 59057604 (Yanmar)
- 59057390 (Honda)
- 31121558
- 31411064
- 31241060
- 31241060 (M6)

A	B	C	D
MOTORINO D'AVVIAMENTO STARTER DÉMARREUR MOT. DEARRANQUE ANLASSMOTOR	GENERATORE GENERATOR GÉNÉRATEUR GENERADOR GENERATOR	REGOLATORE REGULATOR RÉGULATEUR REGULADOR REGLER	FUSIBILI FUSES FUSIBLES FUSIBLES SCHMELZSICHERUNGEN

E	F	G	H	I
BATTERIA BATTERY BATTERIE BATERIA BATTERIE	INTERRUTTORE SWITCH INTERRUPTEUR INTERRUPTOR SCHALTER	SPIACARICABATTERIA BATTERY LONG WARN. LIGHT TEMOIN CHARG. BATTERIE LUZ CARGA BATERIA BATTERIELADUNG KTRL. LAMPE	SOLENOIDE SOLENOID SOLÉNOÏDE SOLENOIDE SOLENOID	DIODO DIODE DIODE DIODE DIODE

(1) sostituisce 30000276

FERRARI

300 TRENDY

AVVIAMENTO ELETTRICO (320 - 330)

ELECTRIC STARTER
ARRANQUE ELECTRICO

DÉMARRAGE ÉLECTRIQUE
ELEKTROSTART

DALLA MACCHINA
FROM THE MACHINE
DE LA MACHINE
DE LA MAQUINA
AB DER MASCHINE

★ N.

AGGIORNAMENTO
REVISION
MISE A JOUR
APLAZAMIENTO
ANPASSUNG

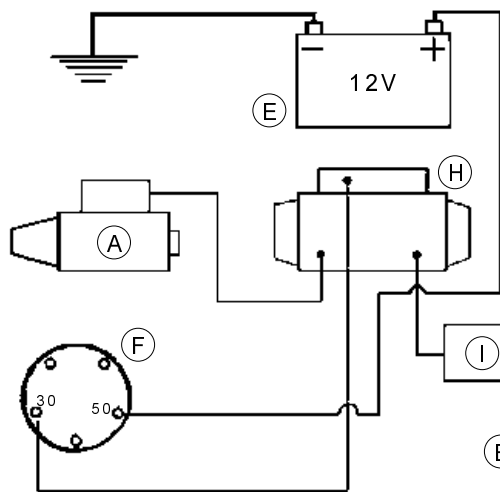
L01

01/2007

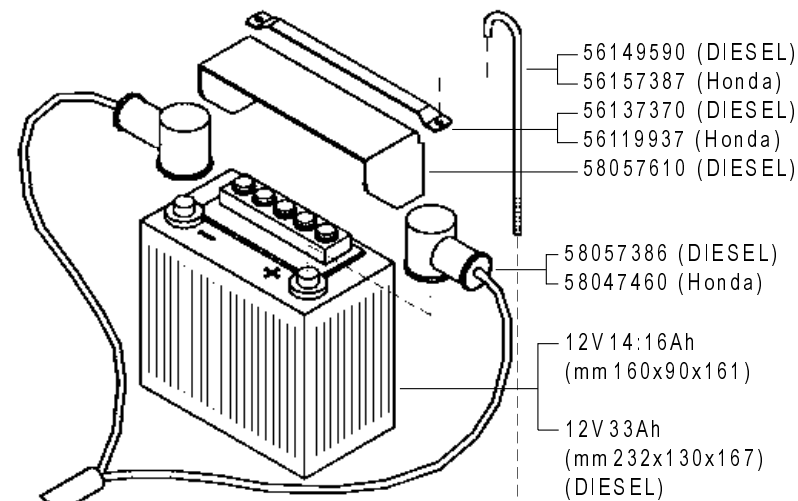
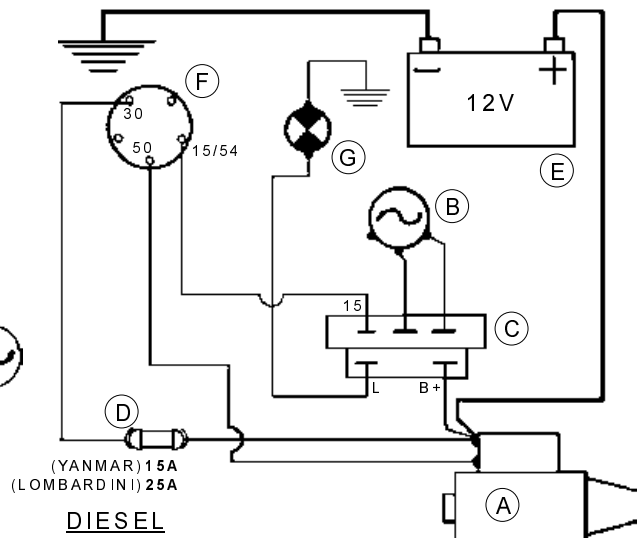
Rev. **1**

ZENNE

Pos.	Code	Q.ty	Description	Notes
30000277	30000277	1	SWITCH	
30000295	30000295	1	LAMP	
31121558	31121558	1	SCREW TTQ M6X16 UNI 5731	
31241060	31241060	1	SELFLOCK NUT M6	
31411064	31411064	1	WASHER 6,4x12,5	
56119937	56119937	1	BATTERY SUPPORT	
56137370	56137370	1	BATTERY BRACKET	
56149590	56149590	1	BATTERY BRACKET	
56157387	56157387	1	ROD	
58045804	58045804	1	WARNING LIGHT	
58045807	58045807	1	LOCK COVER	
58047460	58047460	1	WIRING	
58057386	58057386	1	WIRING	
58057397	58057397	1	KIT	
58057610	58057610	1	BOX	
58057611	58057611	1	KIT	
59057390	59057390	1	BOX	
59057604	59057604	1	BOX	
F0825500	F0825500210	1	RING NUT	
F0825500	F0825500220	1	KEY	



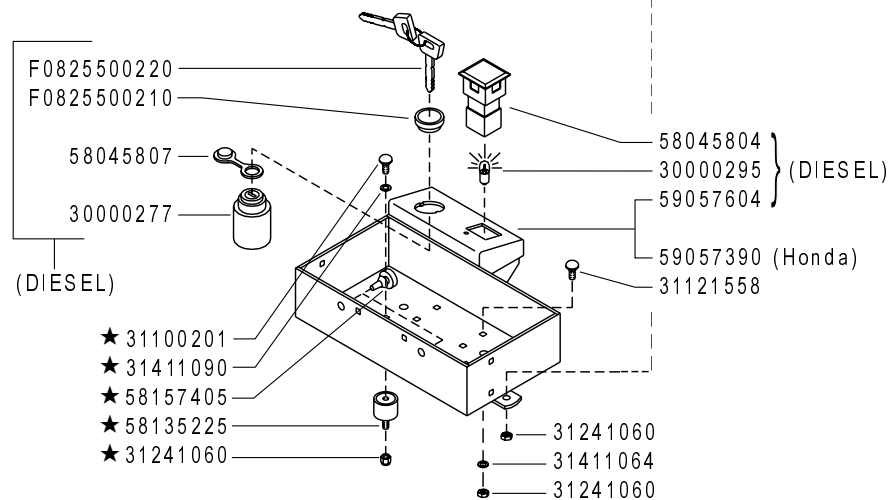
HONDA



A	B	C	D
MOTORINO D'AVVIAMENTO STARTER DÉMARREUR MOT. DE ARRANQUE ANLASSMOTOR	GENERATORE GENERATOR GÉNÉRATEUR GENERADOR GENERATOR	REGOLATORE REGULATOR RÉGULATEUR REGULADOR REGLER	FUSIBILI FUSES FUSIBLES FUSIBLES SCHMELZSICHERUNGEN

E	F	G	H	I
BATTERIA BATTERY BATTERIE BATERIA BATERIE	INTERRUTTORE SWITCH INTERRUPTEUR INTERRUPTOR SCHALTER	SPIA CARICA BATTERIA BATTERY LONG WARN. LIGHT TEMOIN CHARG. BATTERIE LUZ CARGA BATERIA BATTERIELADUNG KTRL. LAMPE	SOLENOIDE SOLENOID SOLÉNOÏDE SOLENOIDE SOLENOID	DIODO DIODE DIODE DIODE DIODE

(1) sostituisce 30000276



FERRARI

300 TRENDY

AVVIAMENTO ELETTRICO (320 - 330 - 340 ★)

ELECTRIC STARTER
ARRANQUE ELECTRICO

DÉMARRAGE ÉLECTRIQUE
ELEKTROSTART

DALLA MACCHINA
FROM THE MACHINE
DE LA MACHINE
DE LA MAQUINA
AB DER MASCHINE

★ N.

(320) 823723

(330) 823957

L01 2

10/2008

Rev.

ZENNE

Pos.	Code	Q.ty	Description	Notes
30000277	30000277	1	SWITCH	
30000295	30000295	1	LAMP	
31100201	31100201	1	SCREW TTQ M6X12 UNI 5731	
31121558	31121558	1	SCREW TTQ M6X16 UNI 5731	
31241060	31241060	1	SELFLOCK NUT M6	
31411064	31411064	1	WASHER 6,4x12,5	
31411090	31411090	1	WASHER 9x24	
56119937	56119937	1	BATTERY SUPPORT	
56137370	56137370	1	BATTERY BRACKET	
56149590	56149590	1	BATTERY BRACKET	
56157387	56157387	1	ROD	
58045804	58045804	1	WARNING LIGHT	
58045807	58045807	1	LOCK COVER	
58047460	58047460	1	WIRING	
58057386	58057386	1	WIRING	
58057610	58057610	1	BOX	
58135225	58135225	1	VIBRATION-DAMPING	
58157405	58157405	1	PLUG	
59057390	59057390	1	BOX	
59057604	59057604	1	BOX	
F0825500	F0825500210	1	RING NUT	
F0825500	F0825500220	1	KEY	

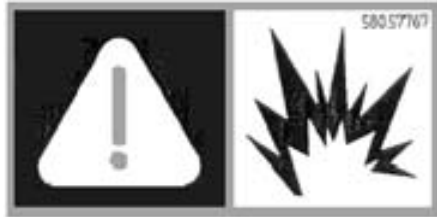
SERIAL

ELECTRIC STARTER

Version: 320 trendy, 330 trendy

CODE REV

L01_2_60940



58057767



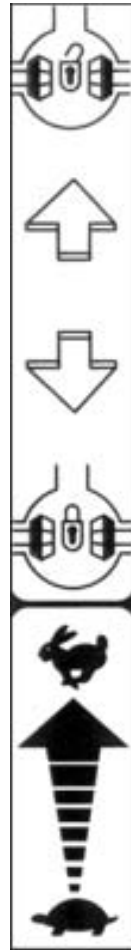
58057768



58046912



58057724



58057688



58057676



58057678



58057677



58057772



58057770

FERRARI

300 TRENDY

STICKERS
ADHESIVOS

ADESIVE

AUTOCOLLANTS
AUFKLEBES

DALLA MACCHINA
FROM THE MACHINE
DE LA MACHINE
DE LA MAQUINA
AB DER MASCHINE

N.

M01 0

11/2006

Rev.

ZENNE

Pos.	Code	Q.ty	Description	Notes
58046912	58046912	1	DECAL	
58057676	58057676	1	DECAL	
58057677	58057677	1	DECAL	
58057678	58057678	1	DECAL	
58057688	58057688	1	DECAL	
58057724	58057724	1	DECAL	
58057767	58057767	1	DECAL	
58057768	58057768	1	DECAL	
58057770	58057770	1	DECAL	
58057772	58057772	1	DECAL	



58057767



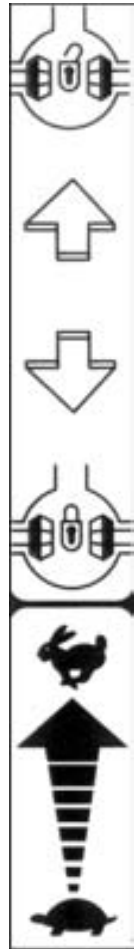
58057768



58057724



58057770



58057688



58057746 ★



58057451 ★



58057450 ★



58057748 ★



58057625 ★



58093089 ★



58057704 ★



58057676



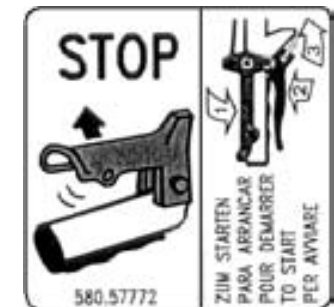
58057678



58057677



58046912



58057772

FERRARI

300 TRENDY

STICKERS
ADHESIVOS

ADESIVE

AUTOCOLLANTS
AUFKLEBES

DALLA MACCHINA
FROM THE MACHINE
DE LA MACHINE
DE LA MAQUINA
AB DER MASCHINE

★ N.

AGGIORNAMENTO
REVISION
MISE A JOUR
APLAZAMIENTO
ANPASSUNG

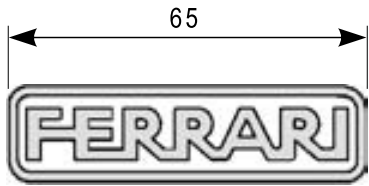
M01 1

10/2008

Rev.

ZENNE

Pos.	Code	Q.ty	Description	Notes
58046912	58046912	1	DECAL	
58057450	58057450	1	DECAL	
58057451	58057451	1	DECAL	
58057625	58057625	1	DECAL	
58057676	58057676	1	DECAL	
58057677	58057677	1	DECAL	
58057678	58057678	1	DECAL	
58057688	58057688	1	DECAL	
58057704	58057704	1	DECAL	
58057724	58057724	1	DECAL	
58057746	58057746	1	DECAL	
58057748	58057748	1	DECAL	
58057767	58057767	1	DECAL	
58057768	58057768	1	DECAL	
58057770	58057770	1	DECAL	
58057772	58057772	1	DECAL	
58093089	58093089	1	DECAL	



58052156

310

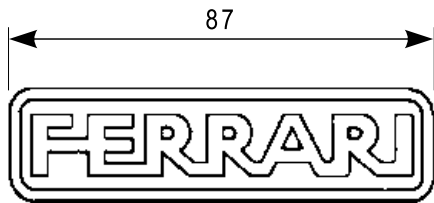
58052037

320

58052026

330

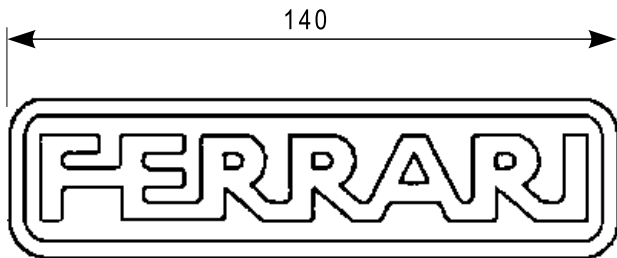
58052039



58052019

TRENDY

58052045



58052029

TRENDY

58052046

FERRARI

300 TRENDY

STICKERS
ADHESIVOS

ADESIVI

AUTOCOLLANTS
AUFKLEBES

DALLA MACCHINA
FROM THE MACHINE
DE LA MACHINE
DE LA MAQUINA
AB DER MASCHINE

N.

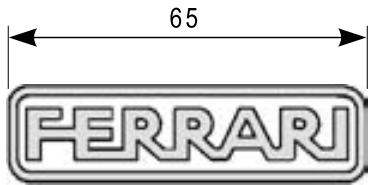
M02 0

11/2006

Rev.

ZENNE

Pos.	Code	Q.ty	Description	Notes
58052019	58052019	1	DECAL	
58052026	58052026	1	DECAL	
58052029	58052029	1	DECAL	
58052037	58052037	1	DECAL	
58052039	58052039	1	DECAL	
58052045	58052045	1	DECAL	
58052046	58052046	1	DECAL	
58052156	58052156	1	DECAL	



58052156

310

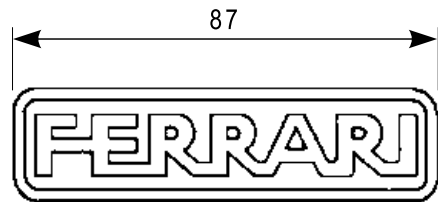
58052037

320

58052026

330

58052039



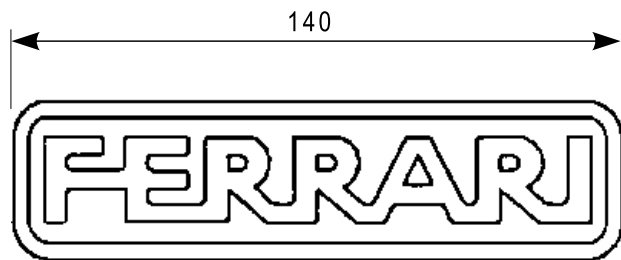
58052019

340

58052047 ★

TRENDY

58052045



58052029

TRENDY

58052046

FERRARI

300 TRENDY

STICKERS
ADHESIVOS

ADESIVI

AUTOCOLLANTS
AUFKLEBES

DALLA MACCHINA
FROM THE MACHINE
DE LA MACHINE
DE LA MAQUINA
AB DER MASCHINE

★ N.

AGGIORNAMENTO
REVISION
MISE A JOUR
APLAZAMIENTO
ANPASSUNG

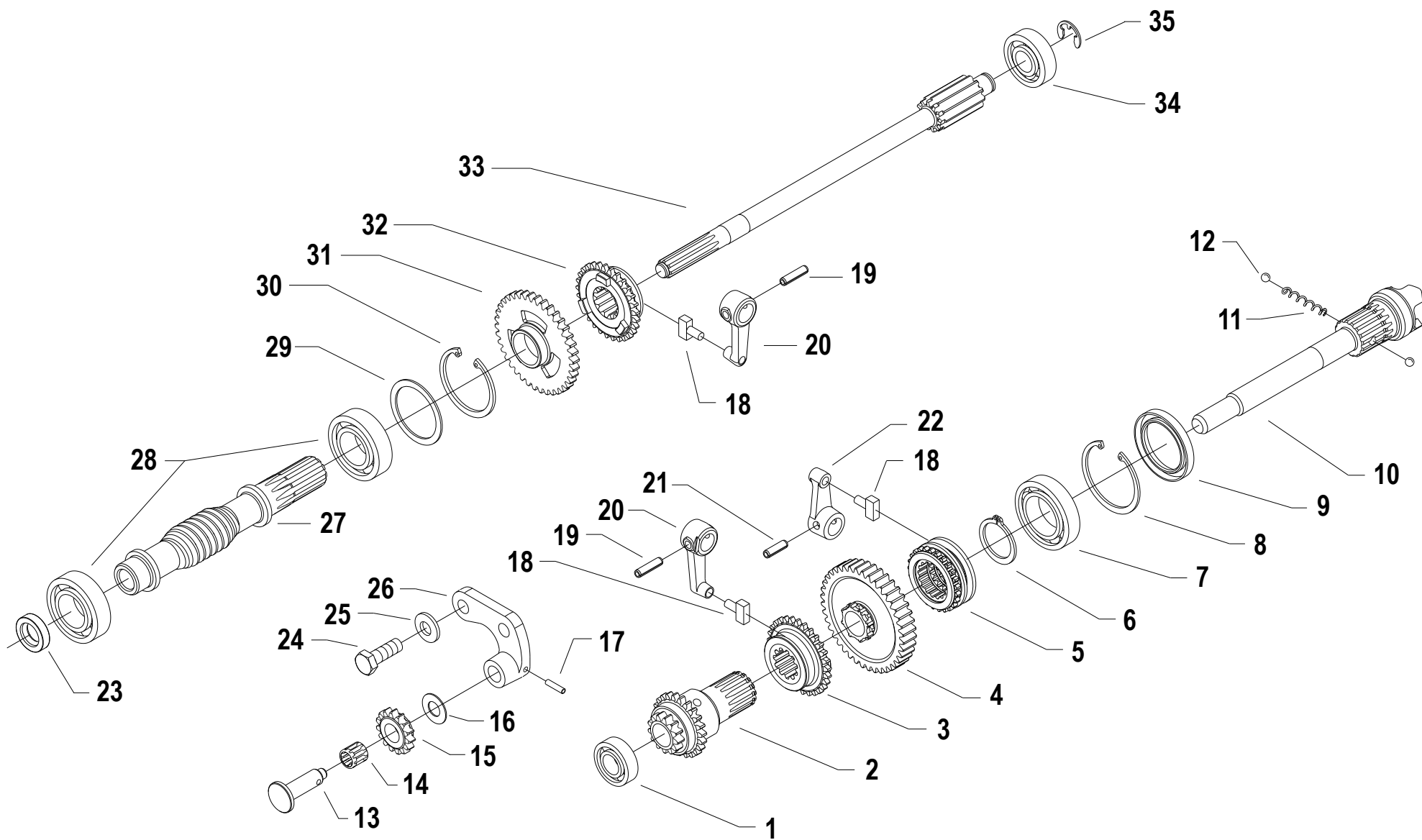
M02 1

10/2008

Rev.

ZENNE

Pos.	Code	Q.ty	Description	Notes
58052019	58052019	1	DECAL	
58052026	58052026	1	DECAL	
58052029	58052029	1	DECAL	
58052037	58052037	1	DECAL	
58052039	58052039	1	DECAL	
58052045	58052045	1	DECAL	
58052046	58052046	1	DECAL	
58052047	58052047	1	DECAL	
58052156	58052156	1	DECAL	



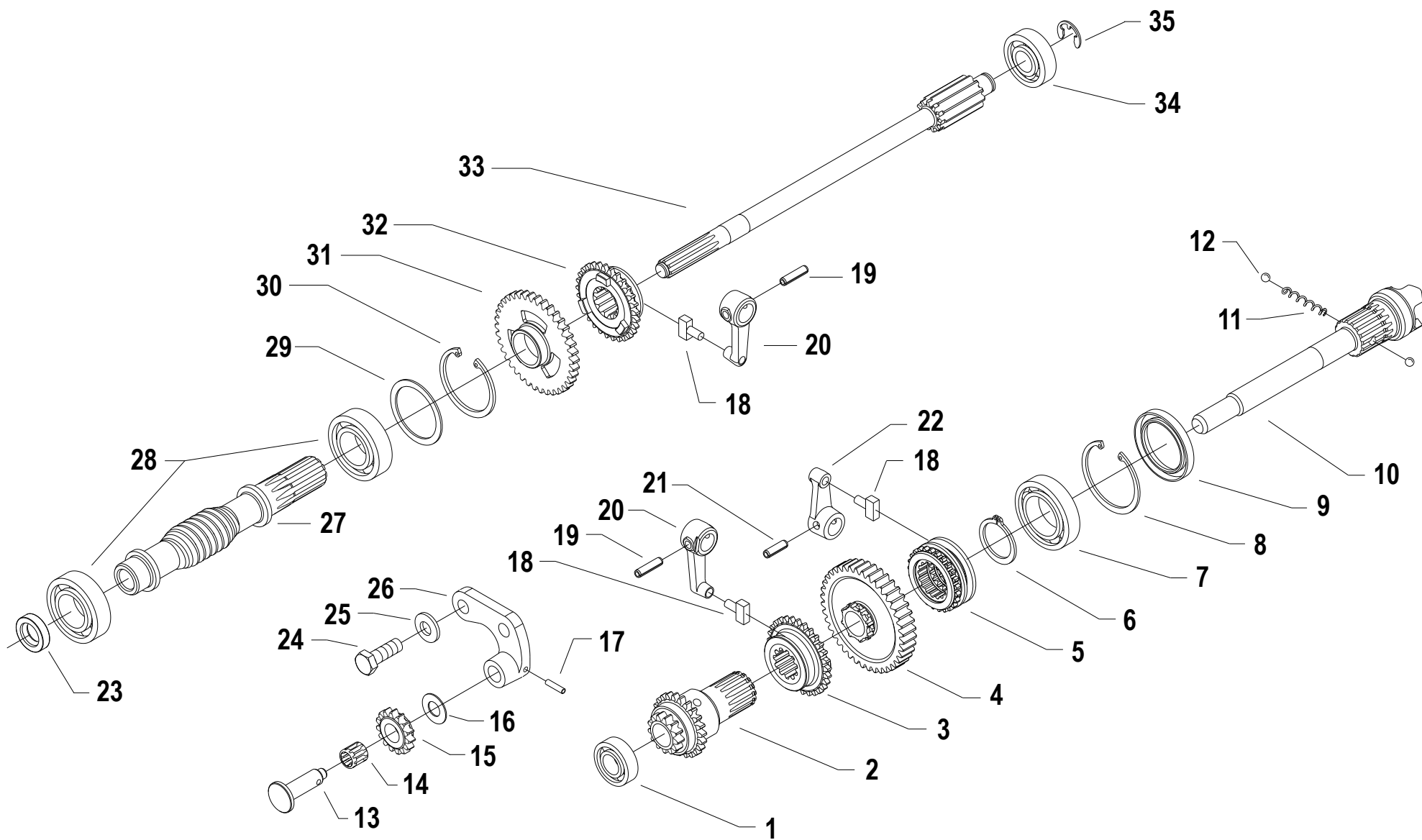
Pos.	Code	Q.ty	Description	Notes
1	37111150		BEARING	
2	59056384		DOUBLE GEAR	
3	52456370		SLIDER	
4	59056707		PTO GEAR	Replaces 59056365 + 52456362
5	52456706		PTO COUPLING	Replaces 59056365 + 52456362
6	35121031		SEEGER RING E 30 UNI 7436	
7	37112229		BEARING	
8	35111055		SEEGER RING I 55 DIN 472	
9	38213800		OIL SEAL 38X55X7	
10	52456335		PTO SHAFT	
11	58056391		SPRING	
12	37910832		BALL 1/4	
13	56456736		PERNO INGRANAGGIO OZIOSO	Replaces 56456351
14	37320120		ROLLER CAGE 12X15/10	
15	56456347		GEAR	
16	56356348		ADJUSTING RING	
17	34211042		ROLL PIN	
18	58043086		SHOE	
19	34213060		ROLL PIN	
20	52456389		LEVER	
21	34213061		ROLL PIN	
22	52456390		LEVER	
23	38211500		OIL SEAL 15X28X7	
24	31112211		SCREW TE M10X30 UNI 5739	
25	31421101		WASHER	
26	52456349		GEAR SUPPORT	
27	56456475		SCREW	
28	37111255		BEARING	
29	56356328		ADJUSTING RING SP=1,5	
29	56356329		ADJUSTING RING SP=1,6	
29	56356330		ADJUSTING RING SP=1,7	
29	56356331		ADJUSTING RING SP=1,8	
30	35111052		SEEGER RING I 52 DIN 472	
31	52456354		GEAR	

SERIAL
START
937702

F02_01 - INGRANAGGI CAMBIO (320-330)

CODE REV

F.02.02.A0027_01



Pos.	Code	Q.ty	Description	Notes
32	52456361		SLIDER	
33	52456339		SHAFT	
34	37111152		BEARING	
35	35211120		SEEGER RING E 12 UNI 7434	

SERIAL
START
937702

F02_01 - INGRANAGGI CAMBIO (320-330)

CODE REV
F.02.02.A0027_01

SPARE PARTS INSTANCE INDEX





SPARE PARTS INSTANCE INDEX

Code	Parts Table	Pos.	Q.ty	Code	Parts Table	Pos.	Q.ty	Code	Parts Table	Pos.	Q.ty
30000276	L01_0_27535	30000276	1	31112152	J02_0_27474	31112152	1	31241060	L01_1_33613	31241060	1
30000277	L01_0_27535	30000277	1	31112153	H02_0_27310	31112153	1		L01_2_60940	31241060	1
	L01_1_33613	30000277	1		H02_1_60701	31112153	1	31241080	C01_0_27103	31241080	1
	L01_2_60940	30000277	1		I02_0_27387	31112153	1		C01_1_60543	31241080	1
30000295	L01_0_27535	30000295	1		I02_1_45506	31112153	1		D01_1_33518	31241080	1
	L01_1_33613	30000295	1	31112154	C01_0_27103	31112154	1		D01_2_60564	31241080	1
	L01_2_60940	30000295	1		C01_1_60543	31112154	1		E01_0_27146	31241080	1
30010142	J02_0_27474	30010142	1	31112211	F.02.02.A0027_01	24			G02_0_27265	31241080	1
30040001	E01_0_27146	30040001	1		F02_0_27212	31112211	1		H02_0_27310	31241080	1
30040133	E01_0_27146	30040133	1	31112293	H02_0_27310	31112293	1		H02_1_60701	31241080	1
31100003	D01_0_27123	31100003	1		H02_1_60701	31112293	1		I02_0_27387	31241080	1
	D01_1_33518	31100003	1	31121558	C01_0_27103	31121558	1		I02_1_45506	31241080	1
	D01_2_60564	31100003	1		C01_1_60543	31121558	1		J02_0_27474	31241080	1
31100015	D01_0_27123	31100015	1		L01_0_27535	31121558	1	31241085	E01_0_27146	31241085	1
	D01_1_33518	31100015	1		L01_1_33613	31121558	1		J02_0_27474	31241085	1
	D01_2_60564	31100015	1		L01_2_60940	31121558	1	31241100	H02_0_27310	31241100	1
31100201	L01_2_60940	31100201	1	31132562	E01_0_27146	31132562	1		H02_1_60701	31241100	1
31111086	H02_0_27310	31111086	1	31152103	E01_0_27146	31152103	1		J02_0_27474	31241100	1
	H02_1_60701	31111086	1	31211080	D01_0_27123	31211080	1	31241126	H02_0_27310	31241126	1
31111090	E01_0_27146	31111090	1		D01_1_33518	31211080	1		H02_1_60701	31241126	1
31111091	I02_0_27387	31111091	1		D01_2_60564	31211080	1	31312080	G02_0_27265	31312080	1
	I02_1_45506	31111091	1		H02_0_27310	31211080	1	31312082	E01_0_27146	31312082	1
31111097	I02_0_27387	31111097	1		H02_1_60701	31211080	1		J02_0_27474	31312082	1
	I02_1_45506	31111097	1		I02_0_27387	31211080	1	31312083	D01_1_33518	31312083	1
31111217	J02_0_27474	31111217	1		I02_1_45506	31211080	1		D01_2_60564	31312083	1
31111229	H02_0_27310	31111229	1	31211100	G02_0_27265	31211100	1	31312086	E01_0_27146	31312086	1
	H02_1_60701	31111229	1		K01_0_27513	31211100	1	31312088	D01_0_27123	31312088	1
31112089	I02_0_27387	31112089	1		K01_1_60913	31211100	1		D01_1_33518	31312088	1
	I02_1_45506	31112089	1	31221121	E01_0_27146	31221121	1		D01_2_60564	31312088	1
31112092	I02_0_27387	31112092	1	31241060	C01_0_27103	31241060	1	31312094	E01_0_27146	31312094	1
	I02_1_45506	31112092	1		C01_1_60543	31241060	1	31312102	G02_0_27265	31312102	1
31112150	H02_0_27310	31112150	1		I02_0_27387	31241060	1		K01_0_27513	31312102	1
	H02_1_60701	31112150	1		I02_1_45506	31241060	1		K01_1_60913	31312102	1
31112152	G02_0_27265	31112152	1		L01_0_27535	31241060	1	31312124	E01_0_27146	31312124	1



SPARE PARTS INSTANCE INDEX

Code	Parts Table	Pos.	Q.ty	Code	Parts Table	Pos.	Q.ty	Code	Parts Table	Pos.	Q.ty
31312125	E01_0_27146	31312125	1	31423084	I02_0_27387	31423084	1	35211120	F02_0_27212	35211120	1
31411043	H02_0_27310	31411043	1		I02_1_45506	31423084	1	37111150	F.02.02.A0027_01	1	
	H02_1_60701	31411043	1		J02_0_27474	31423084	1		F02_0_27212	37111150	1
31411064	C01_0_27103	31411064	1	31423105	D01_0_27123	31423105	1	37111152	F.02.02.A0027_01	34	
	C01_1_60543	31411064	1		D01_1_33518	31423105	1		F02_0_27212	37111152	1
	I02_0_27387	31411064	1		D01_2_60564	31423105	1	37111202	G02_0_27265	37111202	1
	I02_1_45506	31411064	1		G02_0_27265	31423105	1	37111250	F02_0_27212	37111250	1
	L01_0_27535	31411064	1		K01_0_27513	31423105	1	37111253	G02_0_27265	37111253	1
	L01_1_33613	31411064	1		K01_1_60913	31423105	1	37111255	F.02.02.A0027_01	28	
	L01_2_60940	31411064	1	31423130	E01_0_27146	31423130	1	37112173	D01_0_27123	37112173	1
31411084	C01_0_27103	31411084	1	31510099	C01_0_27103	31510099	1		D01_1_33518	37112173	1
	C01_1_60543	31411084	1		C01_1_60543	31510099	1		D01_2_60564	37112173	1
	G02_0_27265	31411084	1	31510100	C01_0_27103	31510100	1	37112229	F.02.02.A0027_01	7	
	I02_0_27387	31411084	1		C01_1_60543	31510100	1		F02_0_27212	37112229	1
	I02_1_45506	31411084	1	34110028	J02_0_27474	34110028	1	37112231	D01_0_27123	37112231	1
31411090	L01_2_60940	31411090	1	34211042	F.02.02.A0027_01	17		37112233	D01_0_27123	37112233	1
31411104	J02_0_27474	31411104	1		F02_0_27212	34211042	1	37320120	F.02.02.A0027_01	14	
31414130	J02_0_27474	31414130	1	34213020	I02_0_27387	34213020	1		F02_0_27212	37320120	1
31421083	E01_0_27146	31421083	1		I02_1_45506	34213020	1	37910832	F.02.02.A0027_01	12	
	H02_0_27310	31421083	1		J02_0_27474	34213020	1		F02_0_27212	37910832	1
	H02_1_60701	31421083	1	34213022	J02_0_27474	34213022	1	37911532	J02_0_27474	37911532	1
	J02_0_27474	31421083	1	34213024	J02_0_27474	34213024	1	38111191	J02_0_27474	38111191	1
31421100	H02_0_27310	31421100	1	34213060	F.02.02.A0027_01	19		38111400	G02_0_27265	38111400	1
	H02_1_60701	31421100	1		F02_0_27212	34213060	1	38211400	J02_0_27474	38211400	1
31421101	F.02.02.A0027_01	25		34213061	F.02.02.A0027_01	21		38211500	F.02.02.A0027_01	23	
	F02_0_27212	31421101	1		F02_0_27212	34213061	1		F02_0_27212	38211500	1
31422064	E01_0_27146	31422064	1	35111047	G02_0_27265	35111047	1	38213002	G02_0_27265	38213002	1
31423084	D01_0_27123	31423084	1	35111052	F.02.02.A0027_01	30		38213800	F.02.02.A0027_01	9	
	D01_1_33518	31423084	1		F02_0_27212	35111052	1		F02_0_27212	38213800	1
	D01_2_60564	31423084	1	35111055	F.02.02.A0027_01	8		39113502	K01_0_27513	39113502	1
	E01_0_27146	31423084	1		F02_0_27212	35111055	1		K01_1_60913	39113502	1
	G02_0_27265	31423084	1	35121031	F.02.02.A0027_01	6		39114008	K01_0_27513	39114008	1
	H02_0_27310	31423084	1		F02_0_27212	35121031	1		K01_1_60913	39114008	1
	H02_1_60701	31423084	1	35211120	F.02.02.A0027_01	35		39114010	K01_0_27513	39114010	1



SPARE PARTS INSTANCE INDEX

Code	Parts Table	Pos.	Q.ty	Code	Parts Table	Pos.	Q.ty	Code	Parts Table	Pos.	Q.ty
39114010	K01_1_60913	39114010	1	52456349	F02_0_27212	52456349	1	55157609	D01_0_27123	55157609	1
39115010	K01_0_27513	39115010	1	52456354	F.02.02.A0027_01	31			D01_1_33518	55157609	1
	K01_1_60913	39115010	1		F02_0_27212	52456354	1		D01_2_60564	55157609	1
39115012	K01_0_27513	39115012	1	52456361	F.02.02.A0027_01	32		55243340	H02_0_27310	55243340	1
	K01_1_60913	39115012	1		F02_0_27212	52456361	1		H02_1_60701	55243340	1
39116018	K01_1_60913	39116018	1	52456362	F02_0_27212	52456362	1	55248038	I02_0_27387	55248038	1
39413502	K01_0_27513	39413502	1	52456370	F.02.02.A0027_01	3			I02_1_45506	55248038	1
	K01_1_60913	39413502	1		F02_0_27212	52456370	1	55248041	I02_0_27387	55248041	1
39414008	K01_0_27513	39414008	1	52456389	F.02.02.A0027_01	20			I02_1_45506	55248041	1
	K01_1_60913	39414008	1		F02_0_27212	52456389	1	55248283	I02_0_27387	55248283	1
39414010	K01_0_27513	39414010	1	52456390	F.02.02.A0027_01	22			I02_1_45506	55248283	1
	K01_1_60913	39414010	1		F02_0_27212	52456390	1	55248284	I02_0_27387	55248284	1
39415010	K01_0_27513	39415010	1	52456706	F.02.02.A0027_01	5			I02_1_45506	55248284	1
	K01_1_60913	39415010	1	53143712	K01_0_27513	53143712	1	55248379	J02_0_27474	55248379	1
39415012	K01_0_27513	39415012	1		K01_1_60913	53143712	1	55249668	H02_0_27310	55249668	1
	K01_1_60913	39415012	1	53152401	E01_0_27146	53152401	1		H02_1_60701	55249668	1
39416018	K01_1_60913	39416018	1	53152408	E01_0_27146	53152408	1	55252405	C01_0_27103	55252405	1
50956262	D01_0_27123	50956262	1	53152409	E01_0_27146	53152409	1		C01_1_60543	55252405	1
	D01_1_33518	50956262	1	53152410	E01_0_27146	53152410	1	55252406	C01_0_27103	55252406	1
	D01_2_60564	50956262	1	53152412	E01_0_27146	53152412	1		C01_1_60543	55252406	1
52156917	H02_0_27310	52156917	1	53156150	D01_0_27123	53156150	1	55252413	C01_1_60543	55252413	1
	H02_1_60701	52156917	1		D01_1_33518	53156150	1	55252415	C01_0_27103	55252415	1
52357250	J02_0_27474	52357250	1		D01_2_60564	53156150	1		C01_1_60543	55252415	1
52443852	G02_0_27265	52443852	1	53156346	E01_0_27146	53156346	1	55257249	J02_0_27474	55257249	1
52443853	G02_0_27265	52443853	1	53243851	G02_0_27265	53243851	1	55257313	J02_0_27474	55257313	1
52447896	D01_0_27123	52447896	1	53247488	D01_0_27123	53247488	1	55257321	J02_0_27474	55257321	1
	D01_1_33518	52447896	1		D01_1_33518	53247488	1	56119937	L01_0_27535	56119937	1
	D01_2_60564	52447896	1		D01_2_60564	53247488	1		L01_1_33613	56119937	1
52448182	G02_0_27265	52448182	1	55102678	E01_0_27146	55102678	1		L01_2_60940	56119937	1
52456335	F.02.02.A0027_01	10		55102714	H02_0_27310	55102714	1	56137370	L01_0_27535	56137370	1
	F02_0_27212	52456335	1		H02_1_60701	55102714	1		L01_1_33613	56137370	1
52456339	F.02.02.A0027_01	33		55142076	J02_0_27474	55142076	1		L01_2_60940	56137370	1
	F02_0_27212	52456339	1	55147842	D01_1_33518	55147842	1	56143865	G02_0_27265	56143865	1
52456349	F.02.02.A0027_01	26			D01_2_60564	55147842	1	56143880	G02_0_27265	56143880	1



SPARE PARTS INSTANCE INDEX

Code	Parts Table	Pos.	Q.ty	Code	Parts Table	Pos.	Q.ty	Code	Parts Table	Pos.	Q.ty
56143883	G02_0_27265	56143883	1	56157236	J02_0_27474	56157236	1	56356924	H02_1_60701	56356924	1
56147655	I02_0_27387	56147655	1	56157248	J02_0_27474	56157248	1	56443857	G02_0_27265	56443857	1
	I02_1_45506	56147655	1	56157257	J02_0_27474	56157257	1	56443871	G02_0_27265	56443871	1
56147845	D01_1_33518	56147845	1	56157274	J02_0_27474	56157274	1	56456347	F.02.02.A0027_01	15	
	D01_2_60564	56147845	1	56157311	J02_0_27474	56157311	1		F02_0_27212	56456347	1
56147923	E01_0_27146	56147923	1	56157312	J02_0_27474	56157312	1	56456351	F02_0_27212	56456351	1
56148037	I02_0_27387	56148037	1	56157324	J02_0_27474	56157324	1	56456475	F.02.02.A0027_01	27	
	I02_1_45506	56148037	1	56157332	I02_0_27387	56157332	1		F02_0_27212	56456475	1
56148285	I02_0_27387	56148285	1		I02_1_45506	56157332	1	56456736	F.02.02.A0027_01	13	
	I02_1_45506	56148285	1	56157387	L01_0_27535	56157387	1	58002429	G02_0_27265	58002429	1
56148286	I02_0_27387	56148286	1		L01_1_33613	56157387	1		I02_0_27387	58002429	1
	I02_1_45506	56148286	1		L01_2_60940	56157387	1		I02_1_45506	58002429	1
56148287	I02_0_27387	56148287	1	56157393	C01_0_27103	56157393	1	58002538	I02_0_27387	58002538	1
	I02_1_45506	56148287	1		C01_1_60543	56157393	1		I02_1_45506	58002538	1
56149590	L01_0_27535	56149590	1	56157394	E01_0_27146	56157394	1	58042167	G02_0_27265	58042167	1
	L01_1_33613	56149590	1	56157399	C01_0_27103	56157399	1		H02_0_27310	58042167	1
	L01_2_60940	56149590	1		C01_1_60543	56157399	1		H02_1_60701	58042167	1
56150361	I02_0_27387	56150361	1	56157411	H02_0_27310	56157411	1		I02_0_27387	58042167	1
	I02_1_45506	56150361	1		H02_1_60701	56157411	1		I02_1_45506	58042167	1
56152403	E01_0_27146	56152403	1	56157412	H02_0_27310	56157412	1	58042200	I02_0_27387	58042200	1
56156276	D01_0_27123	56156276	1		H02_1_60701	56157412	1		I02_1_45506	58042200	1
	D01_1_33518	56156276	1	56347484	D01_0_27123	56347484	1	58042202	I02_0_27387	58042202	1
	D01_2_60564	56156276	1	56356251	D01_0_27123	56356251	1		I02_1_45506	58042202	1
56156281	D01_0_27123	56156281	1	56356328	F.02.02.A0027_01	29		58043053	E01_0_27146	58043053	1
	D01_1_33518	56156281	1		F02_0_27212	56356328	1	58043086	F.02.02.A0027_01	18	
	D01_2_60564	56156281	1	56356329	F.02.02.A0027_01	29			F02_0_27212	58043086	1
56156284	D01_1_33518	56156284	1		F02_0_27212	56356329	1	58043117	E01_0_27146	58043117	1
	D01_2_60564	56156284	1	56356330	F.02.02.A0027_01	29		58043176	J02_0_27474	58043176	1
56156285	D01_1_33518	56156285	1		F02_0_27212	56356330	1	58043219	I02_0_27387	58043219	1
	D01_2_60564	56156285	1	56356331	F.02.02.A0027_01	29			I02_1_45506	58043219	1
56156940	H02_0_27310	56156940	1		F02_0_27212	56356331	1	58043855	G02_0_27265	58043855	1
	H02_1_60701	56156940	1	56356348	F.02.02.A0027_01	16		58043874	G02_0_27265	58043874	1
56156948	H02_0_27310	56156948	1		F02_0_27212	56356348	1	58043881	G02_0_27265	58043881	1
	H02_1_60701	56156948	1	56356924	H02_0_27310	56356924	1	58045804	L01_0_27535	58045804	1



SPARE PARTS INSTANCE INDEX

Code	Parts Table	Pos.	Q.ty	Code	Parts Table	Pos.	Q.ty	Code	Parts Table	Pos.	Q.ty
58045804	L01_1_33613	58045804	1	58052039	M02_0_27566	58052039	1	58056991	H02_0_27310	58056991	1
	L01_2_60940	58045804	1		M02_1_60983	58052039	1		H02_1_60701	58056991	1
58045807	L01_0_27535	58045807	1	58052045	M02_0_27566	58052045	1	58057232	J02_0_27474	58057232	1
	L01_1_33613	58045807	1		M02_1_60983	58052045	1	58057263	I02_0_27387	58057263	1
	L01_2_60940	58045807	1	58052046	M02_0_27566	58052046	1		I02_1_45506	58057263	1
58046912	M01_0_27555	58046912	1		M02_1_60983	58052046	1	58057273	J02_0_27474	58057273	1
	M01_1_60965	58046912	1	58052047	M02_1_60983	58052047	1	58057284	I02_0_27387	58057284	1
58047460	L01_0_27535	58047460	1	58052156	M02_0_27566	58052156	1		I02_1_45506	58057284	1
	L01_1_33613	58047460	1		M02_1_60983	58052156	1	58057286	I02_0_27387	58057286	1
	L01_2_60940	58047460	1	58052288	K01_1_60913	58052288	1	58057297	I02_1_45506	58057297	1
58047712	H02_0_27310	58047712	1	58052326	K01_0_27513	58052326	1	58057329	I02_0_27387	58057329	1
	H02_1_60701	58047712	1		K01_1_60913	58052326	1		I02_1_45506	58057329	1
58048000	I02_0_27387	58048000	1	58052327	K01_0_27513	58052327	1	58057385	C01_0_27103	58057385	1
	I02_1_45506	58048000	1		K01_1_60913	58052327	1		C01_1_60543	58057385	1
58048002	I02_0_27387	58048002	1	58052328	K01_0_27513	58052328	1	58057386	L01_0_27535	58057386	1
	I02_1_45506	58048002	1		K01_1_60913	58052328	1		L01_1_33613	58057386	1
58048009	H02_0_27310	58048009	1	58053035	I02_0_27387	58053035	1		L01_2_60940	58057386	1
	H02_1_60701	58048009	1		I02_1_45506	58053035	1	58057397	L01_0_27535	58057397	1
58048012	I02_0_27387	58048012	1	58056154	I02_0_27387	58056154	1		L01_1_33613	58057397	1
	I02_1_45506	58048012	1		I02_1_45506	58056154	1	58057413	H02_0_27310	58057413	1
58048035	C01_0_27103	58048035	1	58056155	I02_0_27387	58056155	1		H02_1_60701	58057413	1
	C01_1_60543	58048035	1		I02_1_45506	58056155	1	58057416	I02_0_27387	58057416	1
58049501	I02_0_27387	58049501	1	58056391	F.02.02.A0027_01	11			I02_1_45506	58057416	1
	I02_1_45506	58049501	1		F02_0_27212	58056391	1	58057417	H02_0_27310	58057417	1
58051670	I02_0_27387	58051670	1	58056593	I02_0_27387	58056593	1		H02_1_60701	58057417	1
	I02_1_45506	58051670	1		I02_1_45506	58056593	1	58057419	H02_1_60701	58057419	1
58052019	M02_0_27566	58052019	1	58056595	I02_0_27387	58056595	1	58057450	M01_1_60965	58057450	1
	M02_1_60983	58052019	1		I02_1_45506	58056595	1	58057451	M01_1_60965	58057451	1
58052026	M02_0_27566	58052026	1	58056918	H02_0_27310	58056918	1	58057610	L01_0_27535	58057610	1
	M02_1_60983	58052026	1		H02_1_60701	58056918	1		L01_1_33613	58057610	1
58052029	M02_0_27566	58052029	1	58056942	H02_0_27310	58056942	1		L01_2_60940	58057610	1
	M02_1_60983	58052029	1		H02_1_60701	58056942	1	58057611	L01_0_27535	58057611	1
58052037	M02_0_27566	58052037	1	58056991	C01_0_27103	58056991	1		L01_1_33613	58057611	1
	M02_1_60983	58052037	1		C01_1_60543	58056991	1	58057625	M01_1_60965	58057625	1



SPARE PARTS INSTANCE INDEX

Code	Parts Table	Pos.	Q.ty	Code	Parts Table	Pos.	Q.ty	Code	Parts Table	Pos.	Q.ty
58057676	M01_0_27555	58057676	1	59053040	C01_1_60543	59053040	1	59256275	D01_1_33518	59256275	1
	M01_1_60965	58057676	1	59053221	C01_0_27103	59053221	1		D01_2_60564	59256275	1
58057677	M01_0_27555	58057677	1		C01_1_60543	59053221	1	59256279	D01_0_27123	59256279	1
	M01_1_60965	58057677	1	59056258	E01_0_27146	59056258	1		D01_1_33518	59256279	1
58057678	M01_0_27555	58057678	1	59056365	F02_0_27212	59056365	1		D01_2_60564	59256279	1
	M01_1_60965	58057678	1	59056384	F.02.02.A0027_01	2		59256280	D01_0_27123	59256280	1
58057688	M01_0_27555	58057688	1		F02_0_27212	59056384	1		D01_1_33518	59256280	1
	M01_1_60965	58057688	1	59056707	F.02.02.A0027_01	4			D01_2_60564	59256280	1
58057704	M01_1_60965	58057704	1	59056920	J02_0_27474	59056920	1	59257151	I02_0_27387	59257151	1
58057724	M01_0_27555	58057724	1	59056935	H02_0_27310	59056935	1		I02_1_45506	59257151	1
	M01_1_60965	58057724	1		H02_1_60701	59056935	1	59257409	H02_0_27310	59257409	1
58057746	M01_1_60965	58057746	1	59056952	H02_0_27310	59056952	1		H02_1_60701	59257409	1
58057748	M01_1_60965	58057748	1		H02_1_60701	59056952	1	92243685	K01_0_27513	92243685	1
58057767	M01_0_27555	58057767	1	59056995	H02_0_27310	59056995	1		K01_1_60913	92243685	1
	M01_1_60965	58057767	1		H02_1_60701	59056995	1	92243686	K01_0_27513	92243686	1
58057768	M01_0_27555	58057768	1	59057251	J02_0_27474	59057251	1		K01_1_60913	92243686	1
	M01_1_60965	58057768	1	59057319	J02_0_27474	59057319	1	92248715	K01_0_27513	92248715	1
58057770	M01_0_27555	58057770	1	59057390	L01_0_27535	59057390	1		K01_1_60913	92248715	1
	M01_1_60965	58057770	1		L01_1_33613	59057390	1	92248720	K01_0_27513	92248720	1
58057772	M01_0_27555	58057772	1		L01_2_60940	59057390	1		K01_1_60913	92248720	1
	M01_1_60965	58057772	1	59057604	L01_0_27535	59057604	1	92480721	K01_1_60913	92480721	1
58093089	M01_1_60965	58093089	1		L01_1_33613	59057604	1	F0825500210	L01_1_33613	F0825500	1
58135225	L01_2_60940	58135225	1		L01_2_60940	59057604	1		L01_2_60940	F0825500	1
58147704	I02_0_27387	58147704	1	59247884	D01_0_27123	59247884	1	F0825500220	L01_1_33613	F0825500	1
	I02_1_45506	58147704	1		D01_1_33518	59247884	1		L01_2_60940	F0825500	1
58150313	I02_0_27387	58150313	1		D01_2_60564	59247884	1	F0831193010	J02_0_27474	F0831193	1
	I02_1_45506	58150313	1	59247924	D01_1_33518	59247924	1				
58156156	I02_0_27387	58156156	1		D01_2_60564	59247924	1				
	I02_1_45506	58156156	1	59247971	D01_1_33518	59247971	1				
58157405	L01_2_60940	58157405	1		D01_2_60564	59247971	1				
59015425	E01_0_27146	59015425	1	59248175	G02_0_27265	59248175	1				
59053021	C01_0_27103	59053021	1	59256255	D01_1_33518	59256255	1				
	C01_1_60543	59053021	1		D01_2_60564	59256255	1				
59053040	C01_0_27103	59053040	1	59256275	D01_0_27123	59256275	1				